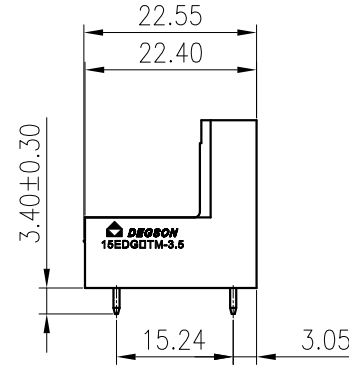
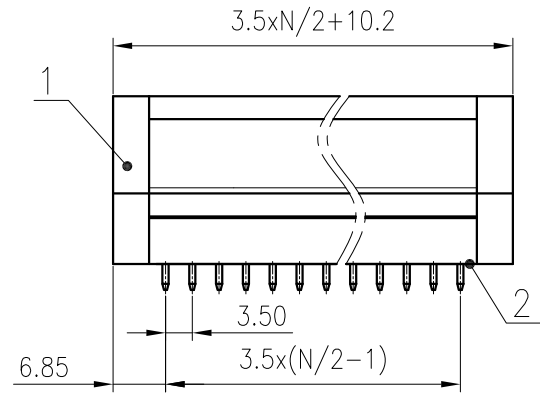
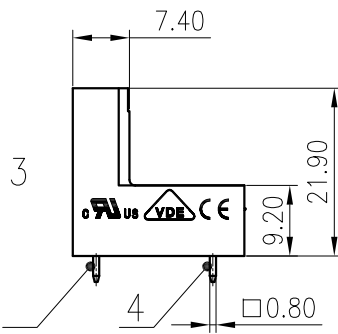
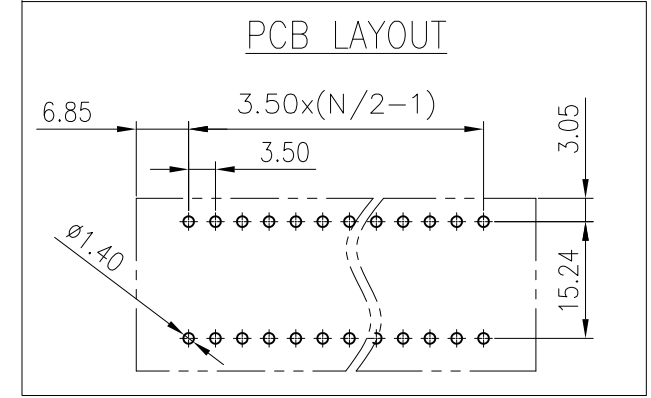
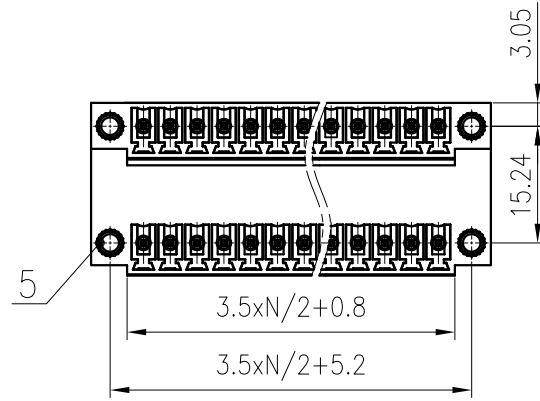


未注公差/General tolerances(mm)											0.1/10		
0	>3	>6	>10	>18	>30	>50	>80	>120	>180	>250		>315	>400
~3	~6	~10	~18	~30	~50	~80	~120	~180	~250	~315	~400	~500	~2.50
±0.12	±0.18	±0.22	±0.26	±0.31	±0.37	±0.57	±0.80	±0.93	±1.05	±1.15	±1.60	±2.20	±2.50



5	Screw cap	Copper alloy	M2.5
4	Pin 2	Copper alloy	Sn Plated
3	Pin 1	Copper alloy	Sn Plated
2	Cover	PA66	UL94V-0
1	Housing	PA66	UL94V-0

ITEM	NAME OF PART	MATERIAL	NOTES
UL 标准/UL Standard:		B	
额定电压/电流/Rated Voltage(V)/Current(A)		300/8	
IEC 标准/IEC Standard:			
过压类别/Overvoltage Category/污染等级/Pollution Degree		II/2	
额定电压/电流/Rated Voltage(V)/Current(A)		250/7	
额定脉冲电压(KV)/Rate Impulse Voltage(KV)		2.5	
间距/Pitch(mm)/线数范围/Poles		3.50/N=04~48P	
使用温度范围/Operating temperature(°C)		-40~+105	
符合RoHS环保要求/Conform to RoHS		Yes	

MATERIAL:		SURFACE:	
MAT NO.:	/	宁波高松电子有限公司 NINGBO DEGSON ELECTRICAL CO., LTD	
STATUS:	/		
APPD:	Lan ChH 2020.05.23		
CHKD:	/	NAME: <b>15EDGVTM-3.5-XXP-1Y-00A(H)</b>	
DRFT:	WL 2015.10.12	DRAWING NO.: 15EDGVTM-3.5-C01	
SIZE:	A4	TYPE:	CUSTOMER DRAWING
SCALE:	1:1	SHEET:	1/1

文管中心  
研发专用  
2020.05.23  
(仅限内部使用, 对外无效)

REV	ECN	DESCRIPTION	DRFT	DATE
T1		Change the drawing and tolerance table	Yu JZh	2020.05.23