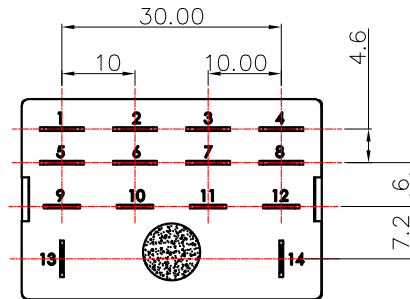
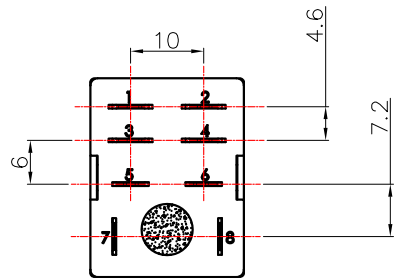
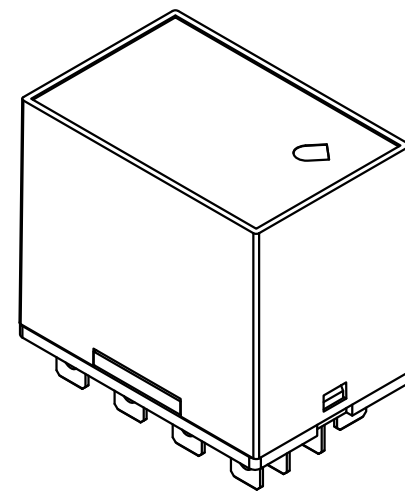
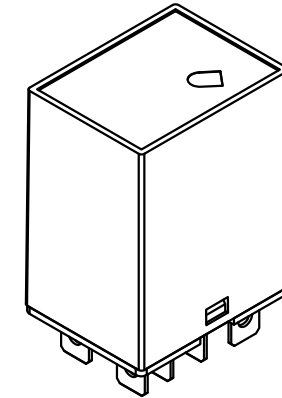
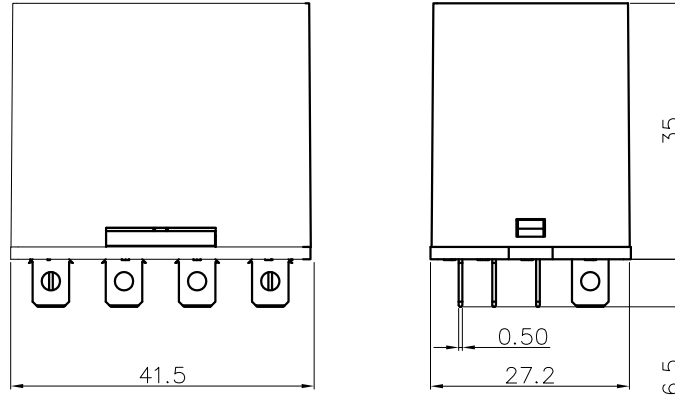
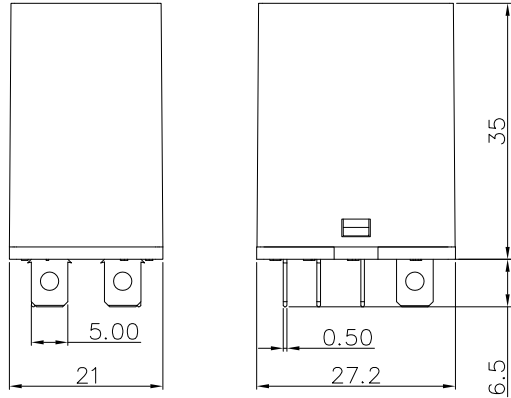


REVISION RECORD				
REV	ECN	DESCRIPTION	DRFT	DATE

DRPL-2C

DRPL-4C



Specifications	
Rated voltage	DC24V/AV220V
Rated current	10A
Operate voltage	AC(50Hz)<80%Ue; DC<75%Ue
Release voltage	AC(50Hz)>30%Ue; DC>10%Ue
Coil power	2C: DC: 0.9W/AC: 1.2VA 4C: DC: 1.5W/AC: 3.0VA
Dielectric voltage	
Between contacts	1000VAC, 1Min (1mA)
Between contacts (different pole)	1000VAC, 1Min (1mA)
Between contacts and coil	1500VAC, 1Min (1mA)
Temperature range	- 25 °C ~ +50 °C



ITEM	NAME OF PART	MATERIAL	NOTES
PART NO.:		宁波高松电子有限公司 NINGBO DEGSON ELECTRICAL CO., LTD	
APPD:	NAME: DRPL-XX-XX-XX-02AH		
CHKD:			
DRFT:	TITLE: CUSTOMER DRAWING		REV
		DRAWING NO.: DRPL-E01	SHEET 1/2
		DO NOT SCALE DRAWING	SCALE 1:1

H
G
F
E
D
C
B
A

H
G
F
E
D
C
B
A