

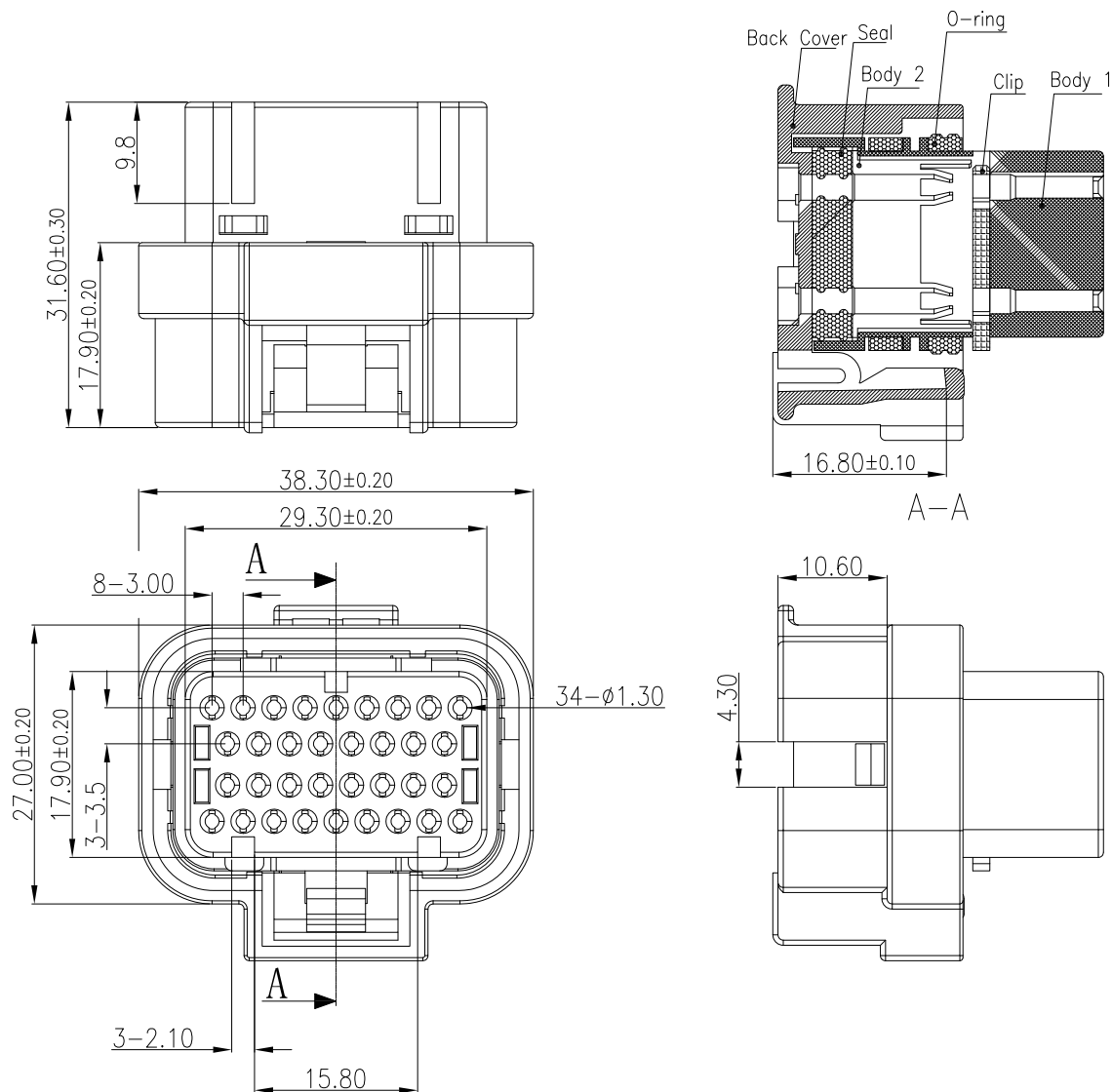
1

2

3

4

5



Specifications:

Current rating:15A AC,DC

Voltage rating:250V AC,DC

Insulation resistance:100M ohm.Min

Withstanding voltage:1000V AC/minute

Operating temperature range:-40°C~+120°C

Material and Finish:

Insulator:PBT (UL94V-2),Black

Clip:PBT (UL94V-2),White

O-ring:Silicon,Red

Seal:Silicon,Red


How to order:

9809P-34-3

3 Key
No. of Contacts
Plug Type

active

RoHS Compliant

F				DRAWN:	GENERAL TOLERANCE:	 Neltron Industrial Co., Ltd.	DESCRIPTION: Automotive Connectors 34P Plug Housing	SIZE A4
E				Jamie Wang	X.=±0.2 .X=±0.1 .XX=±0.05			
D				CHECKED:	UNIT: MM	PART NO: 9809P-34-3		
C				Jerry Chen	SCALE: 1:1			
B				APPROVAL:	SHEET: 1 / 1			
A	21-May-2018		Jamie Wang	Rory Chen	PROJECTION:			
REV	DATE	FILE	BY					