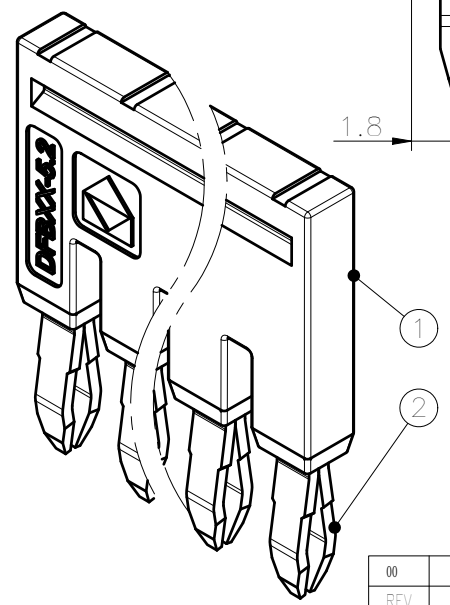
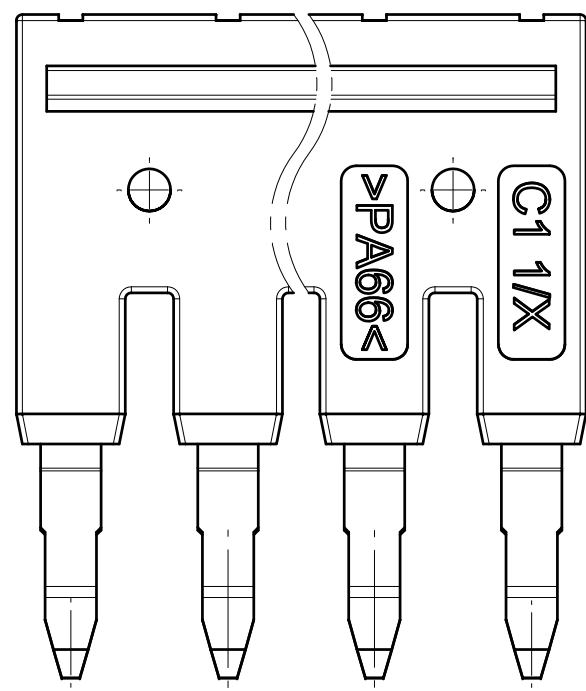
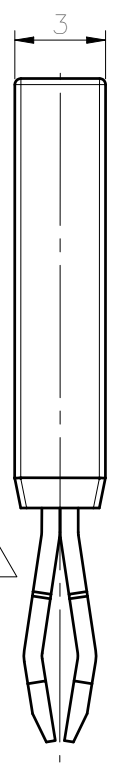
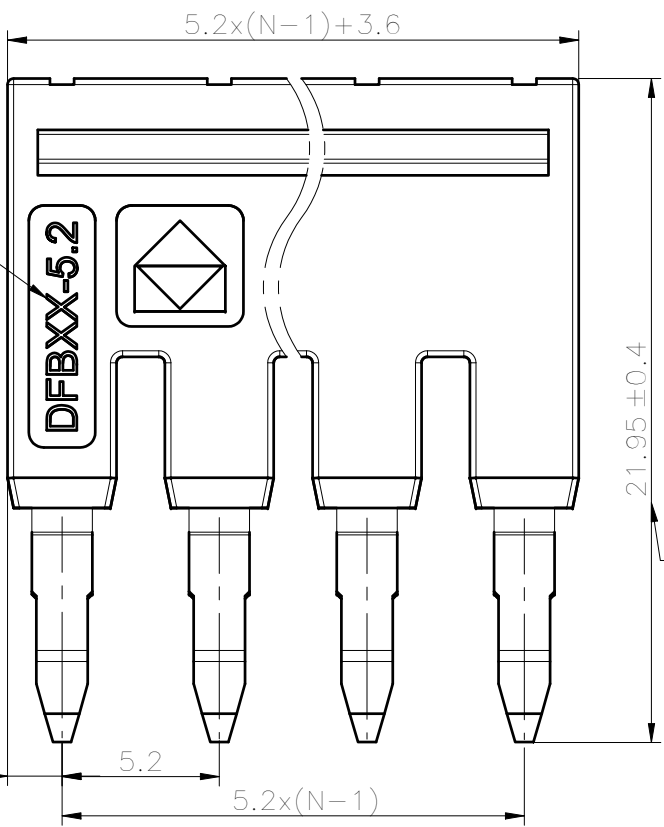
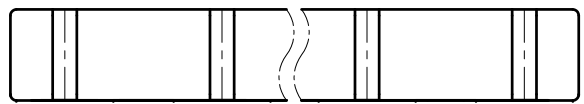


未注公差/General tolerances(mm)											D 0.1/10		
0 ~ 3	>3 ~ 6	>6 ~ 10	>10 ~ 18	>18 ~ 30	>30 ~ 50	>50 ~ 80	>80 ~ 120	>120 ~ 180	>180 ~ 250	>250 ~ 315		>315 ~ 400	>400 ~ 500
±0.12	±0.18	±0.22	±0.26	±0.31	±0.37	±0.57	±0.80	±0.93	±1.05	±1.15	±1.60	±2.20	±2.50



REV	ECN	DESCRIPTION	DRFT	DATE
00	/	/	Huang RJ	2022.06.15



APPD:	Peng M	2022.06.15
CHKD:	Gao WG	2022.06.15
DRFT:	Huang RJ	2022.06.15
A4		

ITEM	2	Current_carrier	Copper	Sn_Plated
	1	Housing	PA66	UL94V_0
ITEM	NAME OF PART		MATERIAL	NOTES
间距/Pitch(mm)/线数范围/Poles		5.2/N=2~10P,20P		
使用温度范围/Operating temperature(°C)		-40~+105		
符合RoHS 环保要求/Conform to RoHS		Yes		
MATERIAL: /		SURFACE: /		
MAT NO./REV: /		MAT STATUS: /		
NAME				
DFBXX-5.2-1Y-00A(H)				
DRAWING NO.	/	TYPE	CUSTOMER DRAWING	DRAWING STATUS
SCALE	4:1	SHEET	1/1	

Transfer or duplication of this document as well as the utilization or communication of its contents are prohibited unless explicit authorization is granted. Customers will be liable for compensation. All rights reserved for patent, utility model or designs registrations. 非经本厂明确授权, 否则禁止转让、复制、利用、交加本文件的内容。侵犯者将负赔偿责任。本公司保留对涉及发明、实用新型和外观设计的所有权利。