

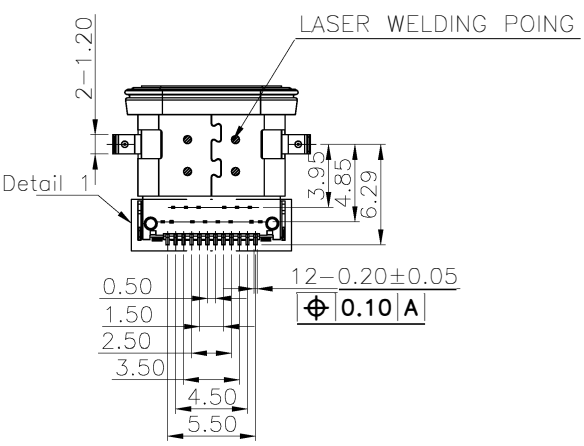
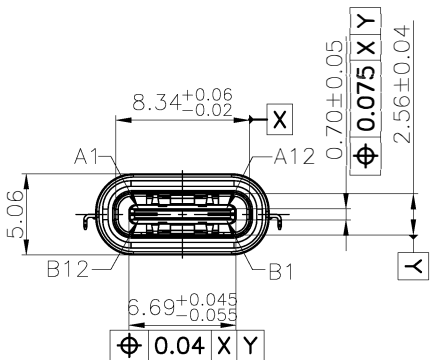
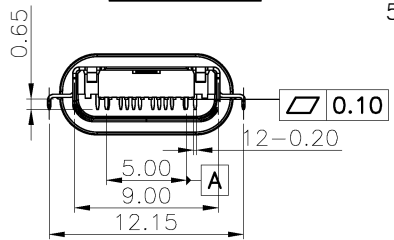
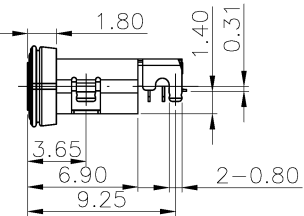
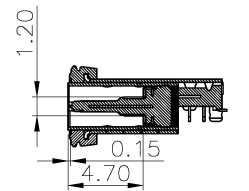
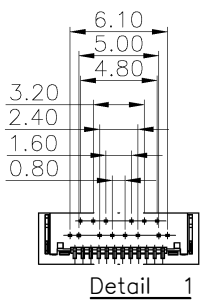
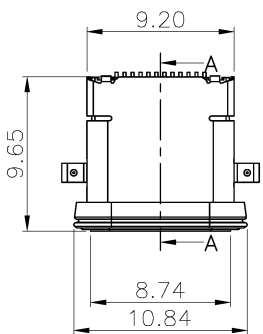
1

2

3

4

5



Pin	Signal Name	Mating Sequence	Pin	Signal Name	Mating Sequence
A1	GND	First	B12	GND	First
A2	SSTXp1	Second	B11	SSRXp1	Second
A3	SSTXn1	Second	B10	SSRXn1	Second
A4	Vbus	First	B9	Vbus	First
A5	CC1	Second	B8	SBU2	Second
A6	Dp1	Second	B7	Dn2	Second
A7	Dn1	Second	B6	Dp2	Second
A8	SBU1	Second	B5	CC2	Second
A9	Vbus	First	B4	Vbus	First
A10	SSRXn2	Second	B3	SSTXn2	Second
A11	SSRXp2	Second	B2	SSTXp2	Second
A12	GND	First	B1	GND	First
SHELL	GND		SHELL	GND	

Specifications:

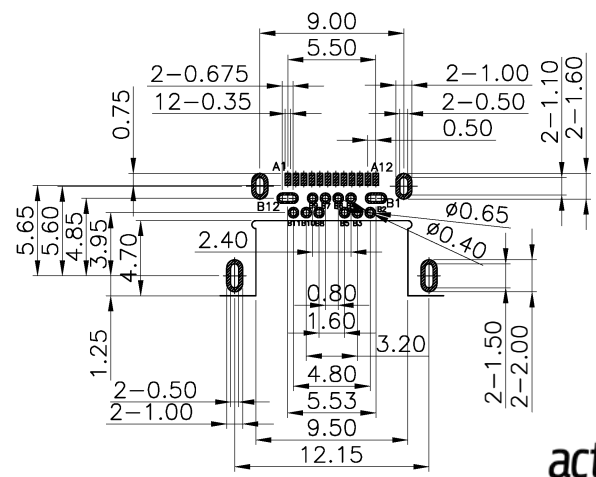
Current Rating: 5.0A (VBUS Pin 1.5A/Pin)  
 5.0A (GND Pin 1.25A/Pin Max),  
 0.25A/PIN (Other Pin)  
 Contact Resistance: 40m ohm Max  
 Insulation Resistance: 100M ohm Min  
 Withstanding Voltage: 100V AC/Minute  
 Operating Temperature Range: -40° C ~ +85° C

Material:

Insulator: High Temp. Plastic UL94V-0  
 Insulator Color: Black  
 Contact: Copper nickel silicon alloy  
 Plated: Gold plated

How To Order

5077CR-24-SMM8-BK-WP-TR  
 Tape & Reel  
 Waterproof  
 SMD Type



P. C.B Layout

RoHS Compliant

F				
E				
D				
C				
B				
A	08-AUG-2018		JERRY	
REV	DATE	FILE	BY	

DRAWN:	JERRY
CHECKED:	
APPROVAL:	RORY

GENERAL TOLERANCE:	.X=±0.20 .XX=±0.10
UNIT:	MM
SCALE:	1:1
SHEET:	1/2
PROJECTION:	
DESCRIPTION:	USB C Female Waterproof R/A SMT Mid Mount Type
PART NO:	5077CR-24-SMM8-BK-WP-TR
SIZE	<b>A4</b>



**Neltron Industrial Co., Ltd.**

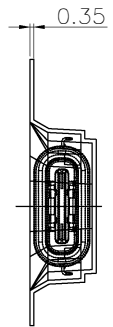
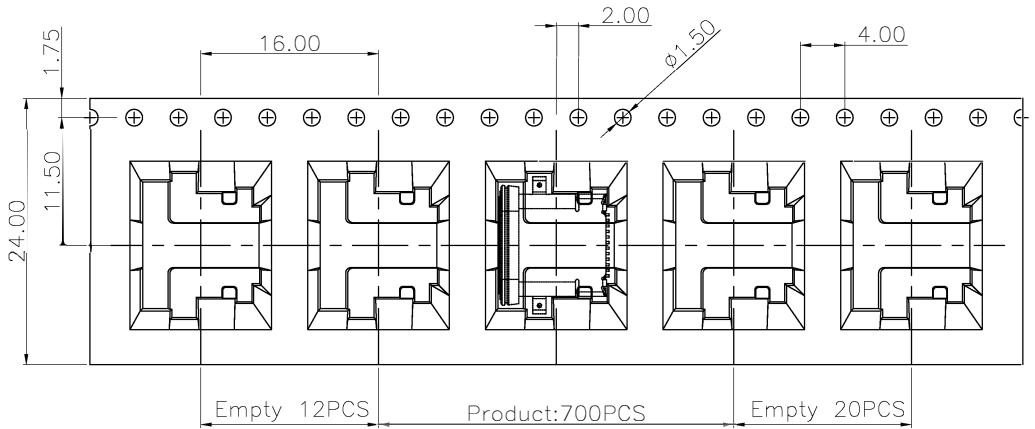
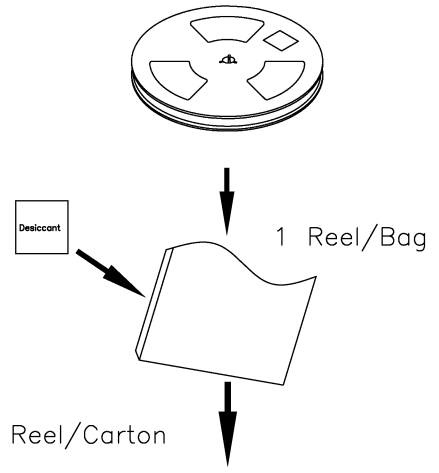
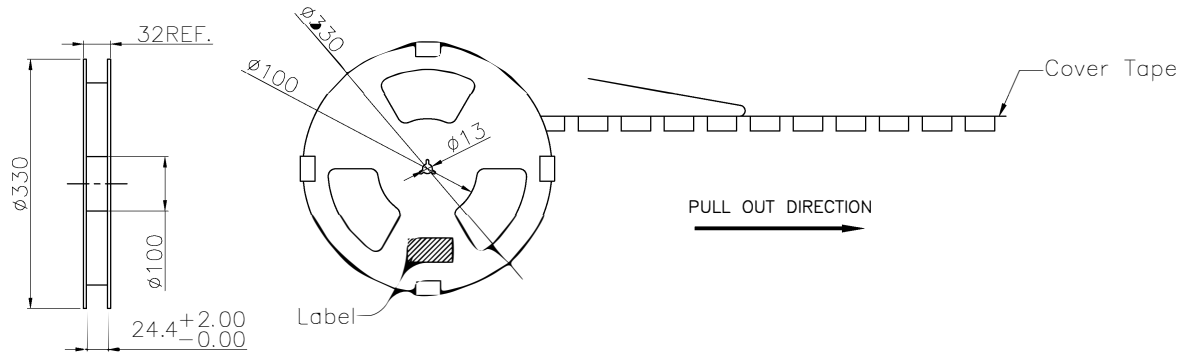
1

2

3

4

5



Pin No	W	F	PCS/R	R/CTN	Q'TY
24	24	11.5	700	10	7,000

RoHS Compliant

F				DRAWN: JERRY	GENERAL TOLERANCE: .X=±0.20 .XX=±0.10
E					
D				CHECKED:	UNIT: MM
C					SCALE: 1:1
B				APPROVAL: RORY	SHEET: 2/2
A	08-AUG-2018		JERRY		PROJECTION:
REV	DATE	FILE	BY		PART NO: 5077CR-24-SMM8-BK-WP-TR



**Neltron Industrial Co., Ltd.**

SIZE  
**A4**