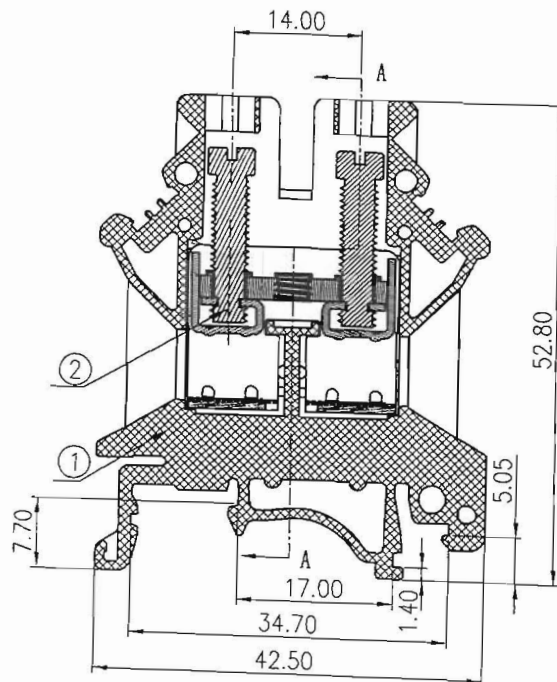
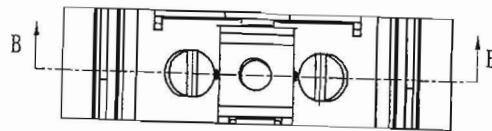
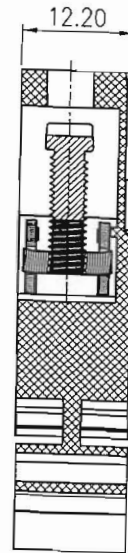




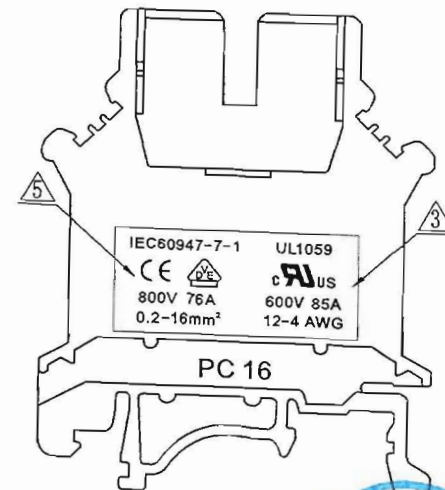
REVISION RECORD				
REV	ECO	DESCRIPTION	DRFT	DATE
△		图面更新	HW	05/07/06
△		XXXXXXXXXX 改为 6009B00010	LYK	06/24/06
△		增加机刻字	CSX	03/26/07
△		品名、料号增加环保标示“00”	LJH	12/10/07
△		增加VDE刻字及参数	WLM	07/18/08
△		图面更新	LJH	02/13/09



SECTION B-B



SECTION A-A



Notes:

- Rated current/voltage: UL 600V/85A
VDE 800V/76A
- Operation temperatures: -40° C~+105° C
- Withstanding Voltage: AC3000V/1Min
- Insulation Resistance: 5000MΩ/DC1000V
- Wire Range: 12~4AWG, 0.2~16mm²
- Max. Torque Value: M4, 12.24kgf.cm
- Undimensioned Tolerances:

Pitch range in mm	Nominal dimension range in mm						—		
	over 6 to 10	over 10 to 24	over 30 to 60	over 60 to 100	over 100 to 150	—			
to 6	±0.10	±0.15	±0.25	±0.2	±0.3	±0.5	±0.7	±1.0	0.05/10

2	PC16 Hardware	6009B00010(H)	1	Brass	Ni plated
1	PC16 Housing	6009A0Y01A(H)	1	PA66	UL94V-0
ITEM	NAME OF PART	NO. OF PART	Q'TY	MATERIAL	NOTES
TOLERANCES EXCEPT AS NOTED: MM: .05 ±, .00 ±, .000 ± ANGLES: ± 1° THIRD ANGLE PROJECTION		DFTD Zhuhm DATE 07/19/05 CHKD DATE MFD DATE APPVLD <i>WJ</i> DATE 2/13/09 MATERIAL: G.E.: FINISH: SCALE: 1:1	DEGSON 宁波高正电子有限公司 DEGSON ELECTRONICS CO., LTD NAME: PC16-01P-1Y-00A(H) DRAWING NO. PC16-E01 /PART NO. DD NOT SCALE DRAWING		
DETACHED LINES SIZE A3 REV T6 02/13/09		SHEET 1 OF 1			