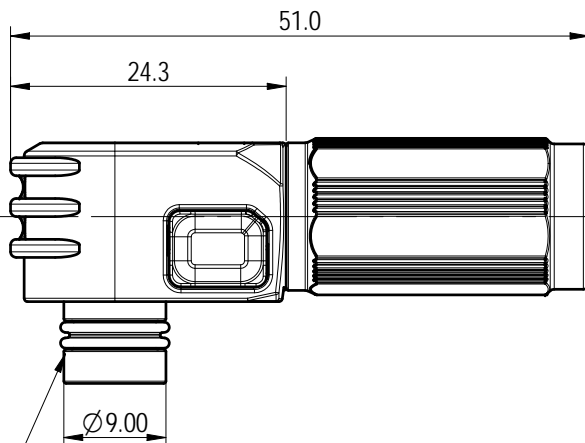
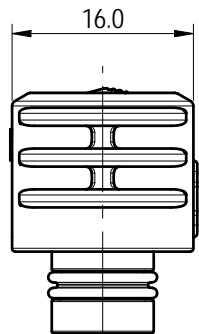
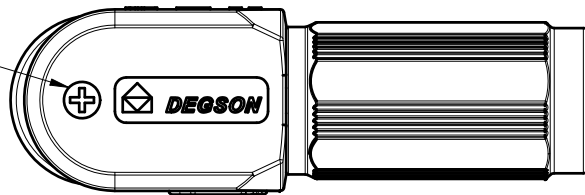
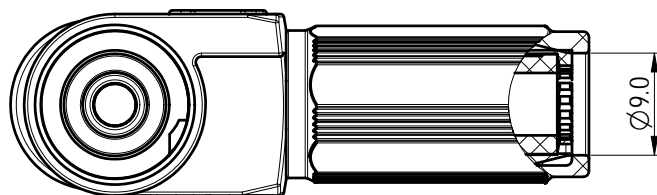




正极尺寸“+”
负极尺寸“-”



正极尺寸: Ø9.0mm
负极尺寸: Ø10.0mm

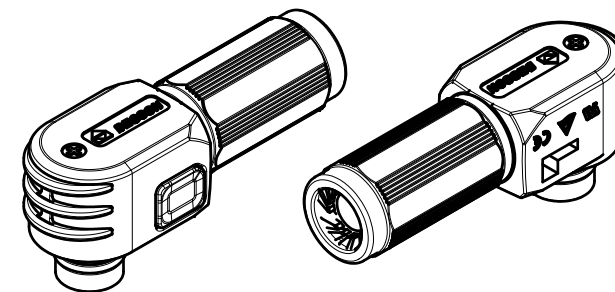


ESP-50A-06-XX-00

Color: BK:Black 负极
OR:Orange 正极
RD:Red 正极

尺寸公差(mm)					0.05/10 ±1'
0	>30	>60	>100	>150	
~30	~60	~100	~150		
±0.20	±0.30	±0.50	±0.70	±1.00	

技术要求/Technical requirements:	
颜色/Color	Black, Orange, Red
锁紧方式/Locking method	卡扣(Buckle)
接线方式/Terminal	Crimp
外壳材料/Housing material	PA+GF
接触件材料/Connector material	铜合金(Copper alloy)
插入力/Insertion force	65N Max
拔出力/Withdrawal force	>10N
插拔次数/Mechanical working life(mating cycles)	100
接线规格/Wiring specifications	10AWG or 6mm ²
线径OD(Wire diameter)	4.5~5.5mm
建议剥线长度/Suggested stripping length	8~9mm
额定电压/Rated voltage	1000V DC
额定电流/Rated current	50A
绝缘电阻/Insulate resistance	≥5000MΩ (drying)
耐电压/Withstanding voltage	4250V/min
接触电阻/Contact resistance	≤0.5mΩ
过电压等级/Overvoltage category	III
污染等级/Pollution degree	3
防护等级/Ingress protection	IP67 (Mated)
使用温度范围/Operating temperature(° C)	-40~+125(including temperature rise)
盐雾/Salt spray	48H
储存温度/Storage temperature(° C)	-40~+85
阻燃等级/Flame retardant ability	UL94-V0
符合RoHS环保要求/Conform to RoHS	Yes
UL4128认证/UL4128 certification	E530802
TUV认证/TUV certification	50581738
满足户外使用/Satisfy outdoor use	Yes



		MATERIAL:	SURFACE/COLOR:		
		MAT NO./REV:	MAT STATUS:		
APPD: 刘剑	2024.01.24	NAME			
CHKD: 于进海	2024.01.21	ESP-50A-06-XX-00			
DRFT: 张晓瑶	2024.01.17	DRAWING NO.	TYPE	DRAWING STATUS	SHEET
		200268628	CUSTOMER DRAWING	1.5:1	1/1

REV	ECN	DESCRIPTION	DRFT	DATE
01				

Transfer or duplication of this document as well as the utilization or communication of its contents are prohibited unless expressly permitted. All rights reserved for patent. activity made or design registrations. 除专利等明确标注外, 未经许可, 不得复制或传播。 未经授权, 不得复制或传播。 除专利等明确标注外, 未经许可, 不得复制或传播。 除专利等明确标注外, 未经许可, 不得复制或传播。