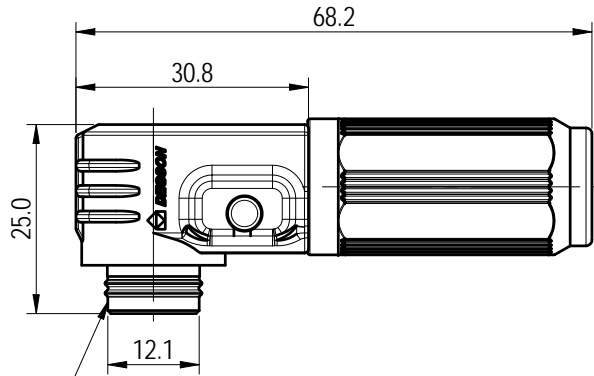
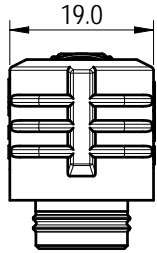
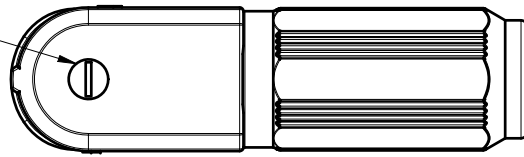
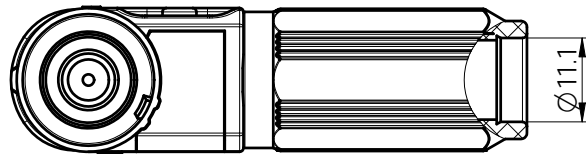




正极尺寸"+"  
负极尺寸"-"



正极尺寸:  $\varnothing 10.7\text{mm}$   
负极尺寸:  $\varnothing 12.1\text{mm}$



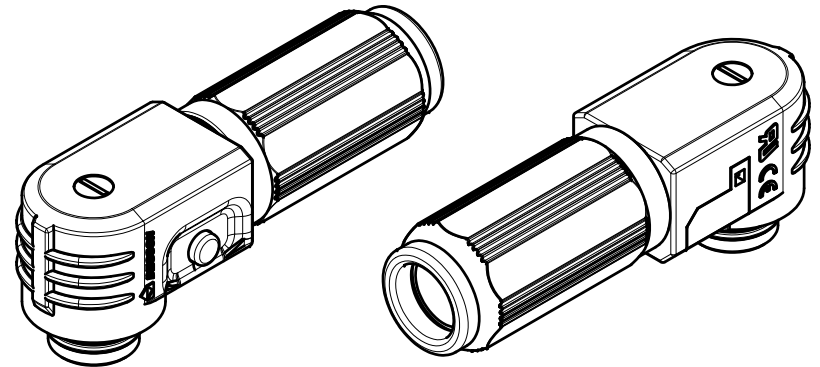
ESP-120A-25-XX-00

Color: BK:Black 负极  
OR:Orange 正极  
RD:Red 正极

01	REV	ECN	DESCRIPTION	DRFT	DATE
01					

尺寸公差(mm)					0.05/10 ±1'
0	>30	>60	>100	>150	
~	~	~	~	~	
±0.20	±0.30	±0.50	±0.70	±1.00	

技术要求/Technical requirements:	
颜色/Color	Black, Orange, Red
锁紧方式/Locking method	卡扣(Buckle)
接线方式/Terminal	Crimp
外壳材料/Housing material	PA+GF
接触件材料/Connector material	铜合金(Copper alloy)
插入力/Insertion force	60N Max
拔出力/Withdrawal force	>10N
插拔次数/Mechanical working life(mating cycles)	100
接线规格/Wiring specifications	4AWG or 25mm <sup>2</sup>
线径OD(Wire diameter)	9~10.3mm
建议剥线长度/Suggested stripping length	13~14mm
额定电压/Rated voltage	1500V DC
额定电流/Rated current	120A
绝缘电阻/Insulate resistance	≥5000MΩ (drying)
耐电压/Withstanding voltage	6800V/min
接触电阻/Contact resistance	≤0.5mΩ
过电压等级/Overvoltage category	III
污染等级/Pollution degree	3
防护等级/Ingress protection	IP67 (Mated)
使用温度范围/Operating temperature(° C)	-40~+125(including temperature rise)
盐雾/Salt spray	48H
储存温度/Storage temperature(° C)	-40~+85
阻燃等级/Flame retardant ability	UL94-V0
符合RoHS环保要求/Conform to RoHS	Yes
UL4128认证/UL4128 certification	E526028
TUV认证/TUV certification	50581738



DEGSON		MATERIAL:	SURFACE/COLOR:
APPD: 刘剑	2024.01.24	MAT NO./REV:	MAT STATUS:
CHKD: 于进海	2024.01.21	NAME	
DRFT: 张晓瑶	2024.01.17	ESP-120A-25-XX-00	
④	④	DRAWING NO.	TYPE
A4	(inch)	200268672	CUSTOMER DRAWING
		DRAWING STATUS	SCALE
			2:1
		SHEET	1/1

Transfer or duplication of this document as well as the utilization or communication of its contents are prohibited unless expressly permitted in writing by the copyright holder. All rights reserved for patent. 任何未经许可的复制或传播均属于侵权行为。 未经授权，禁止复制或传播本文件内容。 除专利等明确标注外，其他内容均保留权利。