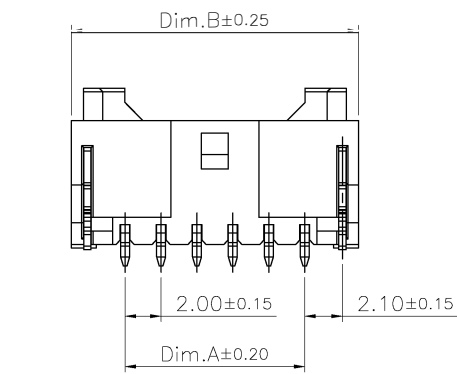
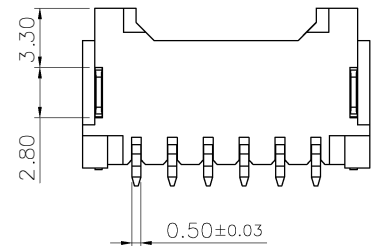
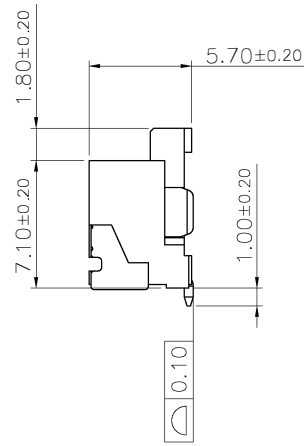


10P-15P double card point



2P-9P single card point



Dimension Information:

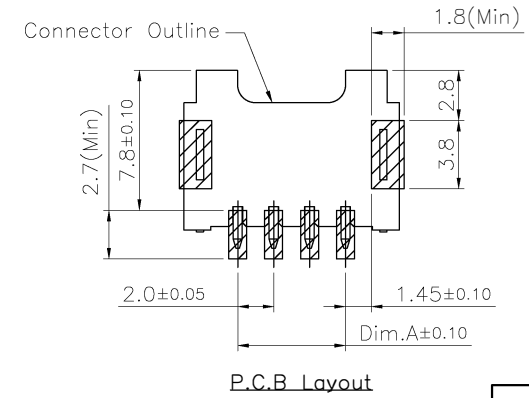
Pin.No	Dim.A	Dim.B	Dim.C	Pin.No	Dim.A	Dim.B	Dim.C
2	2.00	8.00	0.78	9	16.00	22.00	1.50
3	4.00	10.00	1.20	10	18.00	24.00	7.60
4	6.00	12.00	1.50	11	20.00	26.00	7.60
5	8.00	14.00	1.50	12	22.00	28.00	7.60
6	10.00	16.00	1.50	13	24.00	30.00	7.60
7	12.00	18.00	1.50	14	26.00	32.00	7.60
8	14.00	20.00	1.50	15	28.00	34.00	7.60

Specifications:
 Current Rating: 3.0A AC,DC
 Voltage Rating: 250V AC,DC
 Contact Resistance: 10m ohm.Max
 Insulation Resistance: 1000M ohm.Min
 Withstanding Voltage: 800V AC/Minute
 Operating Temperature Range: -25°C~+85°C
 Application Wire: Awg#24~#28

Material And Finish:
 Insulator: Nylon 6T (UL94V-0)
 Insulator Color: Natural
 Contact: Brass
 Plated: Gold/Matte Tin/Selective Gold Plated
 Solder Tabs: Brass, Tin Plated

How To Order
 2417RZ-XXX-SM-TR

- Tape&Reel
- SMD
- G:Gold Plated
- MT:Matte Tin Plated
- SG:Gold Plated On Contact Area,
Matte Tin Plated On Solder Tail.
- No. of Contacts
- Right Angle Type



RoHS Compliant

F				DRAWN:	GENERAL TOLERANCE:	Neltron Industrial Co., Ltd.	DESCRIPTION:	SIZE
E				ZONGYI	.X=±0.20 .XX=±0.15			
D				CHECKED:	UNIT: MM	2.0mm Wire To Board Wafer SMD Type	A4	
C				JERRY	SCALE: 1:1			
B	10-AUG-2023	Add Packing List	JAMIE	APPROVAL:	SHEET: 1/2	PART NO: 2417RZ-XXX-SM-TR		
A	12-MAY-2023		ZONGYI	RORY	PROJECTION:			
REV	DATE	FILE	BY					

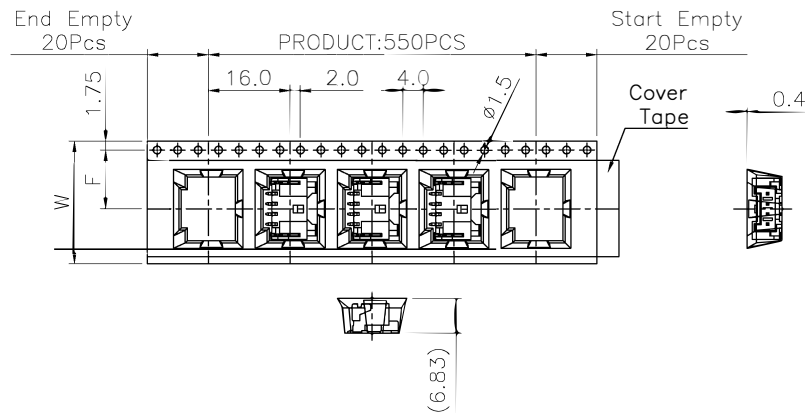
1

2

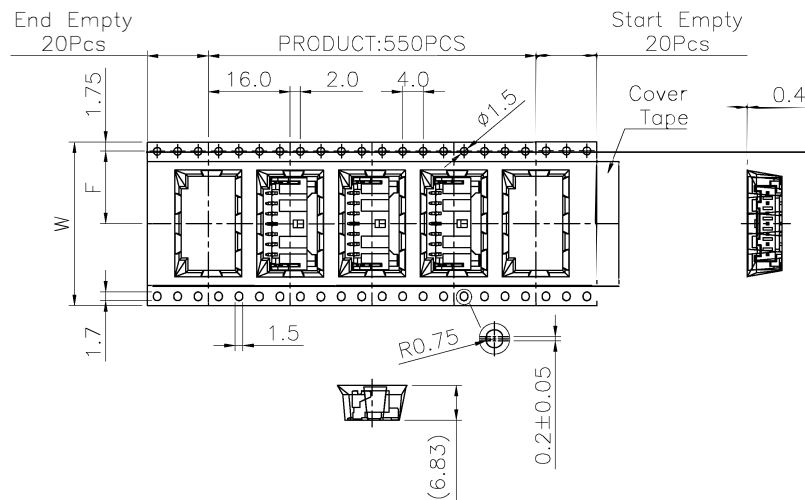
3

4

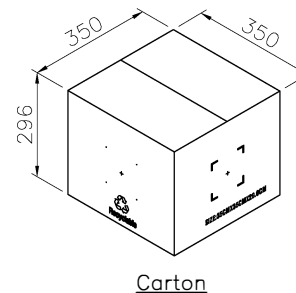
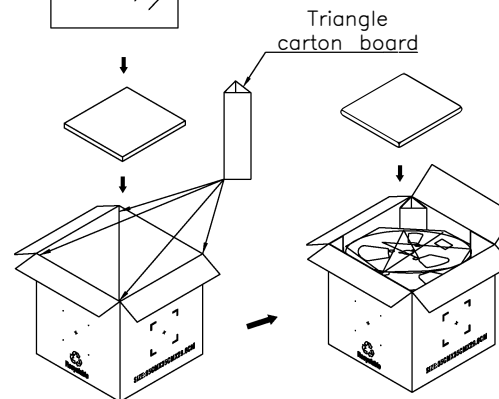
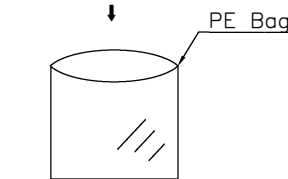
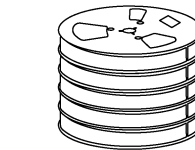
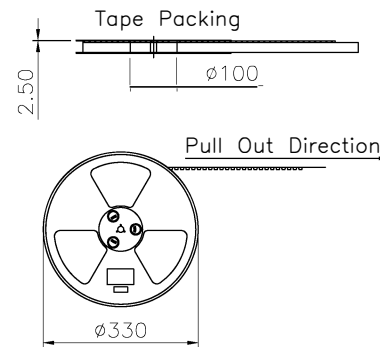
5



For Reel width (dimension W)24mm Single row hole



For Reel width (dimension W)32, 44mm Double row hole



Carton

Note:

- 1.All dimensions meet EIA-481-3 requirements.
- 2.Material: Transparent Conductive Polystyrene Alloy 100% recyclable.
- 3.Thickness: 0.40 ± 0.05 mm
- 4.Component load per 13" reel:550Pcs.
- 5.Carton Size:350*350*296(mm)

Pin No.	W	F	Pcs/R	R/CTN	Q'ty
02-05	24	11.5	550	9	4950
06-07	32	14.5	550	7	3850
08-12	44	20.2	550	5	2750

RoHS Compliant

F				DRAWN:	GENERAL TOLERANCE:	Neltron Industrial Co., Ltd.	SIZE
E				ZONGYI	.X=±0.20 .XX=±0.15		
D				CHECKED:	UNIT: MM	DESCRIPTION: 2.0mm Wire To Board Wafer SMD Type Packing List	A4
C				JERRY	SCALE:		
B	10-AUG-2023	Add Packing List	JAMIE	APPROVAL:	SHEET: 2/2	PART NO: 2417RZ-XXX-SM-TR	
A	12-MAY-2023		ZONGYI	RORY	PROJECTION:		
REV	DATE	FILE	BY				