


PRODUCT SPECIFICATION

Model No.: FYL-5002LUYC1F-30-L7

Descriptions:

- Dice material: AlGaInP.
- Emitting Color: Super Bright Yellow.
- Device Outline: Φ5mm round type.
- Lens Type: Water clear.



| CUSTOMER APPROVED SIGNATURES | APPROVED BY | SALES BY | PREPARED BY |
|------------------------------|-------------|--|---|
| | |  |  |

NINGBO FORYARD OPTOELECTRONICS CO.,LTD.

Add:No. 666 Jinghua Road, Hi-tech Park, Ningbo, Zhejiang, China

Zip:315103

Tel: 0086-574-87933652 87922206 87927870

Fax: 0086-574-87927917

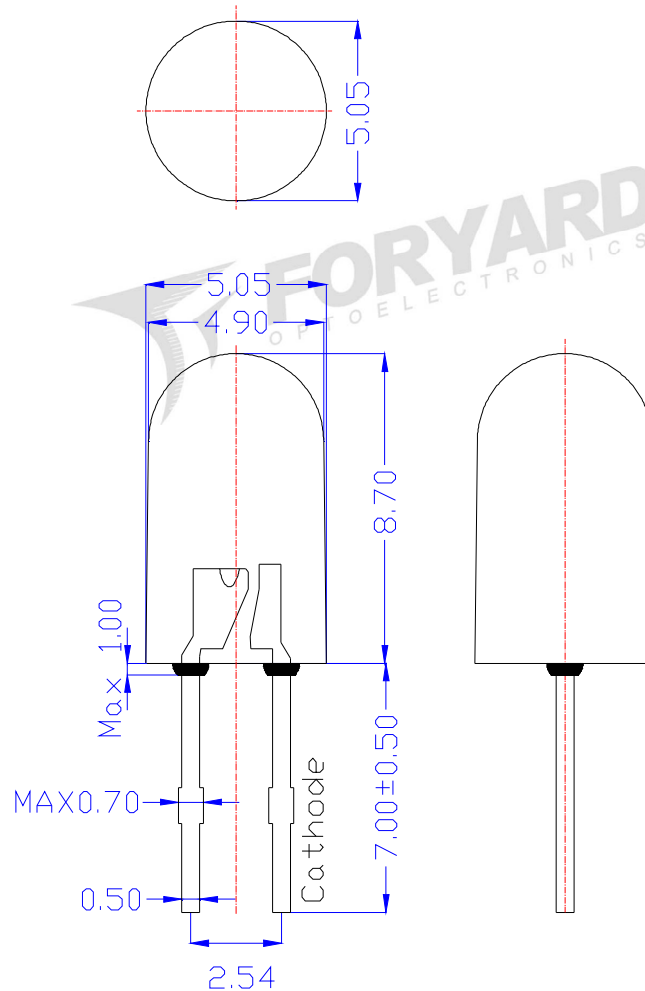
E-mail:Sales@foryard.com (General)

Model No.: FYL-5002LUYC1F-30-L7

■ Features

- 1.Low power consumption.
- 2.High efficiency.
- 3.General purpose leads.
- 4.High intensity.
- 5.RoHs compliant.

■ Package configuration



Notes:

1. All dimensions are millimeters (inches)
2. Tolerance is $\pm 0.25\text{mm}(.010")$ unless otherwise noted.
3. The specifications, characteristics and technical data described in the datasheet are subject to change without prior notice.
- 4.The drawing is different from the actual one, please refer to the sample.

Model No.: FYL-5002LUYC1F-30-L7

■ Absolute Maximun Ratings(Ta=25°C)

| Parameter | MAX. | Unit |
|---|---------------------|-------|
| Power Dissipation | 75 | mW |
| Peak Forward Current (1/10 Duty Cycle, 0.1ms Pulse Width) | 100 | mA |
| Continuous Forward Current | 30 | mA |
| Derating Linear From 50°C | 0.4 | mA/°C |
| Reverse Voltage | 5 | V |
| Operating Temperature Range | -40°C to +85°C | |
| Storage Temperature Range | -40°C to +100°C | |
| Lead Soldering Temperature[4mm(.157") From Body] | 260°C for 5 Seconds | |

■ Typical Electrical & Optical Charcteristics(Ta=25°C)

| Parameter | Symbol | Min. | Typ. | Max. | Unit | Test Condition |
|--------------------------|-----------------|------|------|------|---------|----------------|
| Luminous Intensity | I_v | 3800 | 6000 | 9000 | mcd | IF=20mA |
| Viewing Angle | $2\theta_{1/2}$ | --- | 30 | --- | Deg | |
| Peak Emission Wavelength | λ_p | --- | 590 | -- | nm | |
| Dominant Wavelength | λ_d | 586 | 590 | 594 | nm | |
| Spectral Line Half-Width | $\Delta\lambda$ | --- | 20 | -- | nm | |
| Forward Voltage | V_F | 1.8 | 2.1 | 2.4 | V | VR=5V |
| Reverse Current | I_R | --- | --- | 10 | μA | |

Note:

- 1.Luminous Intensity is based on the Foryard standards.
- 2.Pay attention about static for InGaN

■ Luminous Intensity Guide (Unit: mcd) @IF=20mA

| Code | N21 | N22 | N23 | N24 |
|-------------------------|-----------|-----------|------------|-----------|
| Luminous Intensity(mcd) | 3800~4750 | 4750~6000 | 6000~75000 | 7500~9000 |

Tolerance of measurement of luminous intensity is $\pm 15\%$

■ Dominate Wavelength Guide (Unit: nm) @IF=20mA

| Code | Y3 | Y4 | Y5 | Y6 |
|-------------------------|---------|---------|---------|---------|
| Dominate Wavelength(nm) | 586~588 | 588~590 | 590~592 | 592~594 |

Tolerance for each Dominate Wavelength bin is $\pm 1nm$

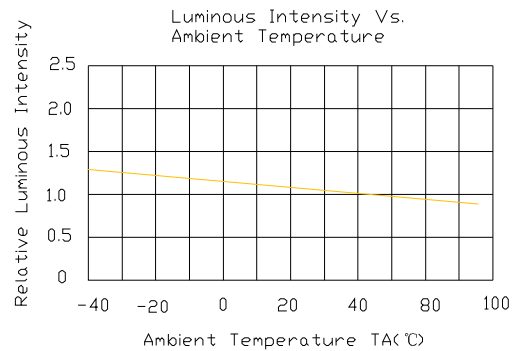
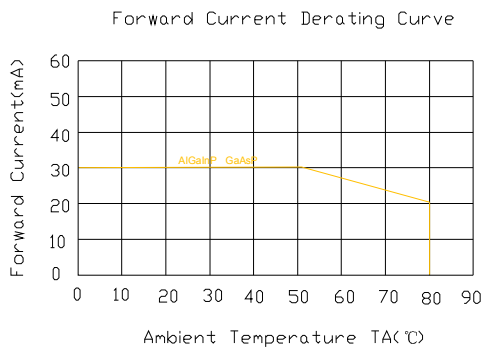
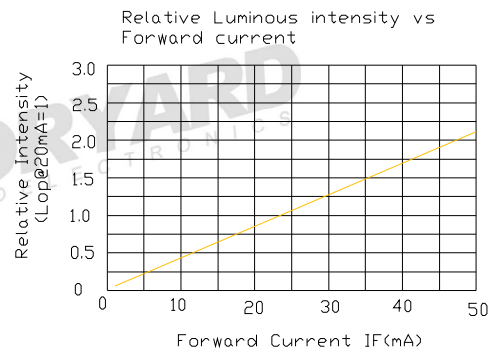
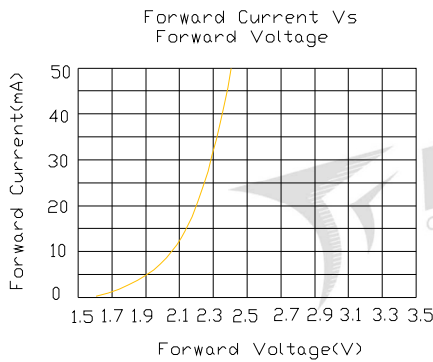
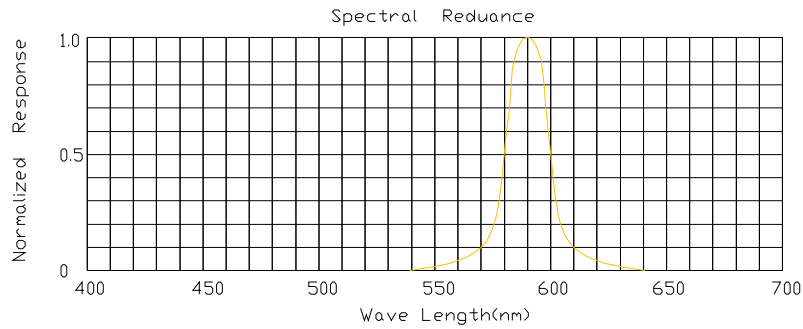
■ Forward Voltage Guide (Unit: V) @IF=20mA

| Code | V2a | V2b | V3a | V3b | V4a | V4b |
|--------------------|---------|---------|---------|---------|---------|---------|
| Forward Voltage(V) | 1.8~1.9 | 1.9~2.0 | 2.0~2.1 | 2.1~2.2 | 2.2~2.3 | 2.3~2.4 |

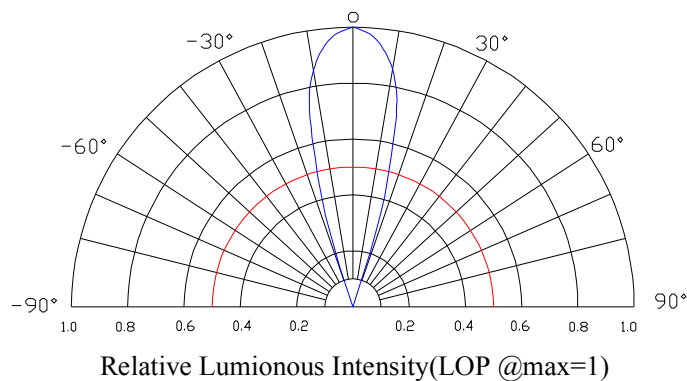
Tolerance of measurement of forward voltage is $\pm 0.1V$

Model No.: FYL-5002LUYC1F-30-L7

■ Typical Electrical/Optical Characteristics Curves(Ta=25°C Unless Otherwise Noted)



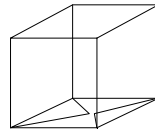
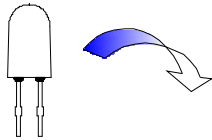
■ Radiation pattern



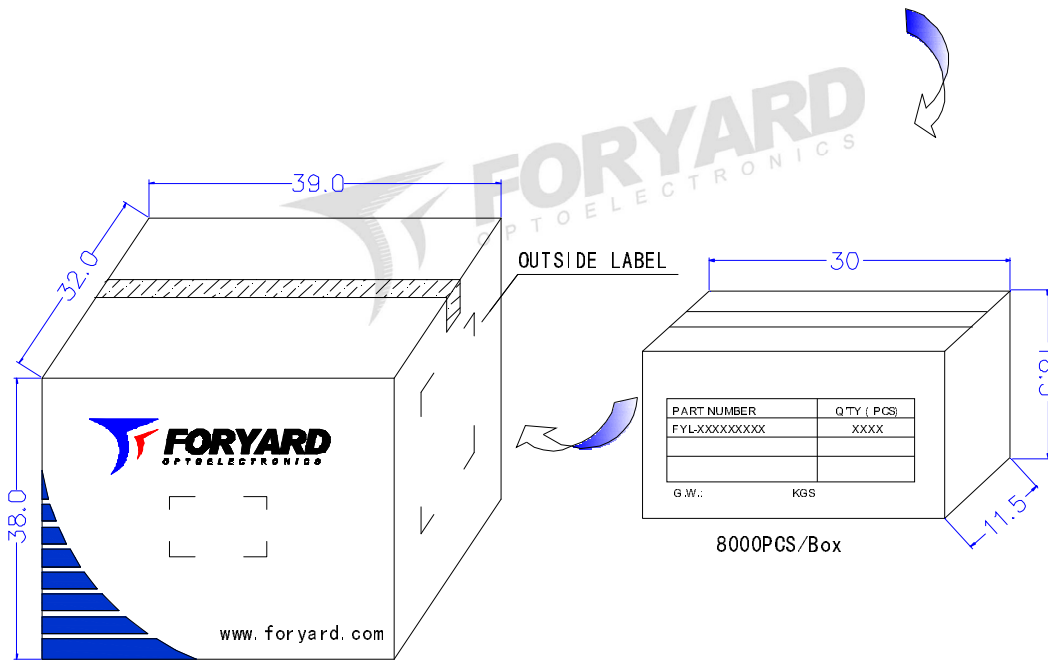
| | |
|-------------|----------------------|
| Model No. | FYL-5002LUYC1F-30-L7 |
| Date / Rev. | 2022.09.02 / A |

Model No.: FYL-5002LUYC1F-30-L7

■ LAMP PACKING.

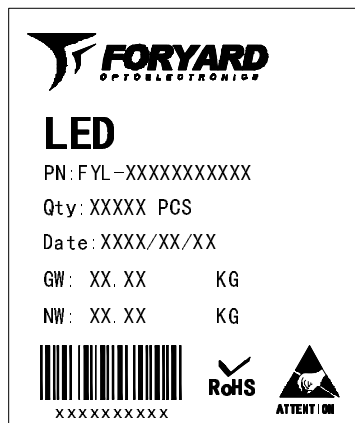


5mm 1000PCS/Polybag



48000PCS/Carton

8000PCS/Box



OUTSIDE LABEL

Note: The specifications are subject to change without notice. Please contact us for updated information.