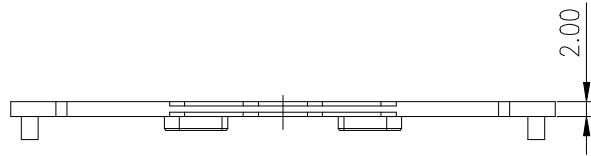
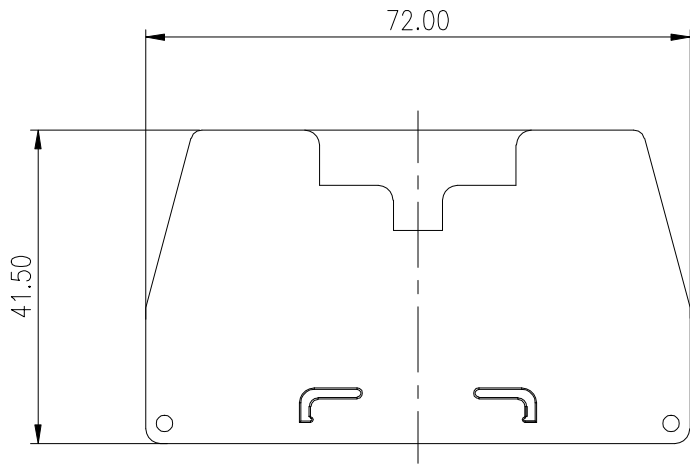




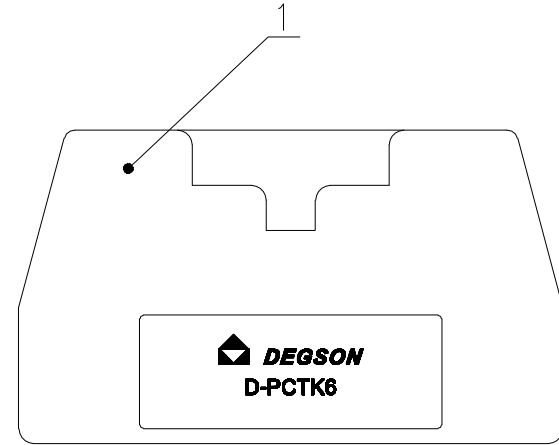
A



B



C



D

0 ~ 3	>3 ~ 6	>6 ~ 10	>10 ~ 18	>18 ~ 30	>30 ~ 50	>50 ~ 80	>80 ~ 120	>120 ~ 180	>180 ~ 250	>250 ~ 315	>315 ~ 400	>400 ~ 500
±0.1 2	±0.1 8	±0.2 2	±0.2 6	±0.3 1	±0.3 7	±0.5 7	±0.8 0	±0.9 3	±1.0 5	±1.1 5	±1.6 0	±2.2 0

1	Cover	PA66
ITEM	NAME OF PART	MATERIAL
使用温度范围/Operating temperature(°C)		-40
符合RoHS环保要求/Conform to RoHS		
标准颜色编号/Standard color number:		
PANTONE / RAL		

MATERIAL: /	SURFACE: /
MAT NO.: /	宁波高松电子有限公司 NINGBO DEGSON ELECTRIC
STATUS: /	
APPD: Li GL 2020.06.01	
CHKD: Mao J 2020.06.01	
DRFT: Wang LX 2020.06.01	
DRAWING NO.: D-PCTK6-C01	

REV	ECN	DESCRIPTION	DRFT	DATE	⊕	SIZE: A4	mm (inch)	TYPE: CUSTOMER DRAWING	SCALE: 1:1	SF
-----	-----	-------------	------	------	---	----------	--------------	------------------------	------------	----

1

2

3

4

5

6