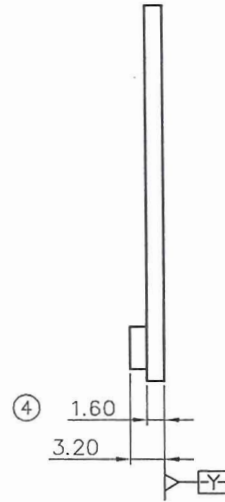
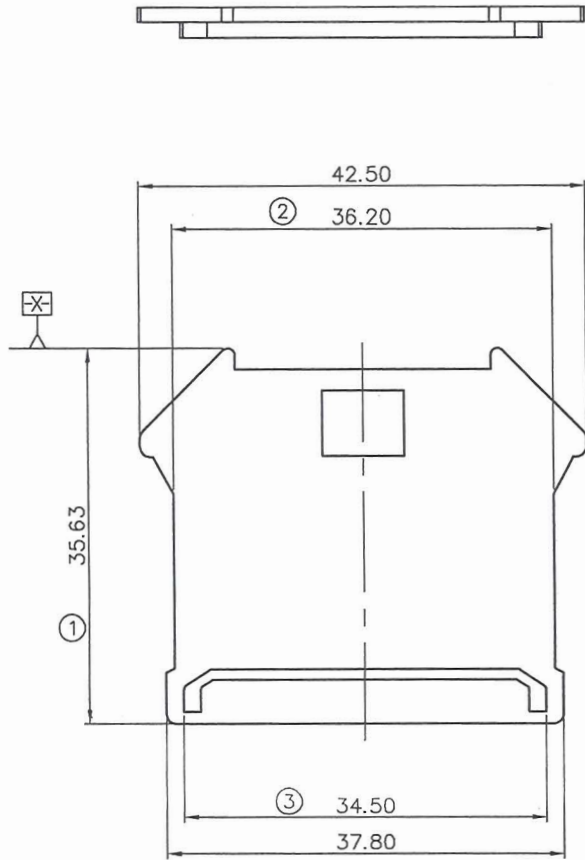
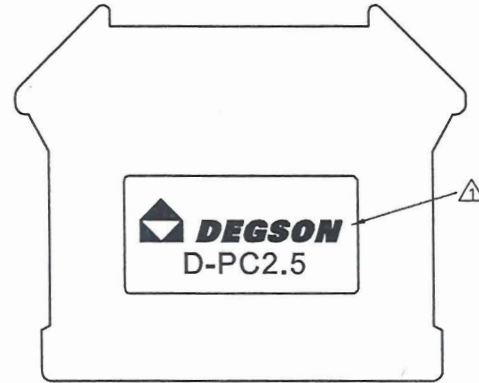


REVISION RECORD				
REV	ECN	DESCRIPTION	DRFT	DATE
△	16-0151	依实物修改图纸及料号增加“H”	ding	16/05/16*



SEC A-A



文管中心
研 发 专 用
6.29
(仅限内部使用,对外无效)

备注:

1. 尺寸标注符合标准 ASME Y14.5-2009
2. P距: 1.6mm, P数范围: N=01P
3. 使用温度范围: -40°C~+105°C
4. “⊗”为重点管控尺寸
5. 未注公差表:

P距方向公差(mm)		其他尺寸公差(mm)					—	∩	∇
≤6	6 ~ 10	10 ~ 24	≤30	30 ~ 60	60 ~ 100	100 ~ 150	>150	0.05/10	
±0.10	±0.15	±0.25	±0.20	±0.30	±0.50	±0.70	±1.00	±1'	

6. 须符合RoHS环保要求

ITEM	NAME OF PART	NO. OF PART	Q'TY	MATERIAL	NOTES
1	D-PC2.5-00A盖板	6004CYY01A(H)	1	PA66	UL94V-0
PART NO.: /		宁波高松电子有限公司 NINGBO DEGSON ELECTRICAL CO., LTD			
APPD: <i>Baron 2016.02</i>		NAME: D-PC2.5-01P-1Y-00A(H) △			
CHKD: <i>Zrk 06/22/16</i>		TITLE: ASSEMBLY DRAWING			
DRFT: LIN 05/29/06		REV		T1	
DRAWING NO.: D-PC2.5-E01		SHEET		1/1	
THIRD ANGLE PROJECTION		DO NOT SCALE DRAWING		SCALE 1:1	

DETACHED LISTS

A

H

G

F

E

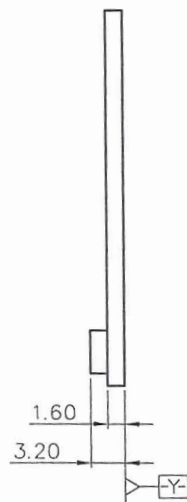
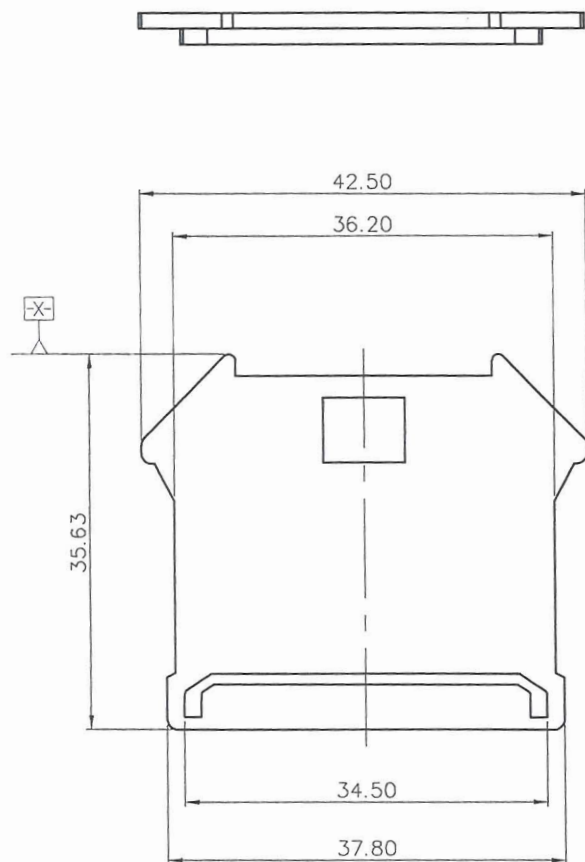
D

C

B

A

REVISION RECORD				
REV	ECN	DESCRIPTION	DRFT	DATE



SEC A-A



文策中心
6.29
(仅限内部使用,对外无效)

NOTES:

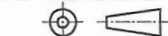
- 1.Dimension shall be interpreted per ASME Y14.5-2009
- 2.Pitch : 1.6mm, Poles ; N=01P
- 3.Operating temperature: -40°C~+105°C
- 4.Undimensioned tolerances:

Pitch range in mm		Nominal dimension range in mm				Tolerances	
TO	Over TO	TO	Over TO	TO	Over TO	0.1/10	2'
6	10	30	60	100	150	0.1/10	±2'
±0.15	±0.20	±0.30	±0.50	±0.70	±1.00	±1.30	±2'

5.RoHS Compliance

1	COVER	PA66	UL94V-0
ITEM	NAME OF PART	MATERIAL	NOTES

DETACHED LISTS	PART NO.: /	宁波高松电子有限公司 NINGBO DEGSON ELECTRICAL CO., LTD		
	APPD: <i>Robin 5/18/16</i>	NAME: D-PC2.5-01P-1Y-00A(H)		
	CHKD: <i>Dicky 2016.5.17</i>	TITLE: CUSTOMER DRAWING		
	DRFT: <i>ding 05/16/16"</i>	REV	TO	
DRAWING NO.: D-PC2.5-C01		SHEET	1/1	



THIRD ANGLE PROJECTION

MM (INCH) DO NOT SCALE DRAWING