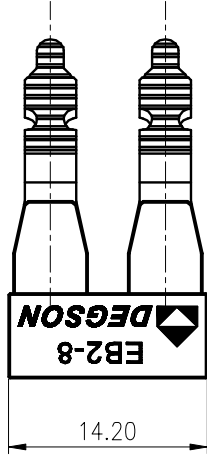
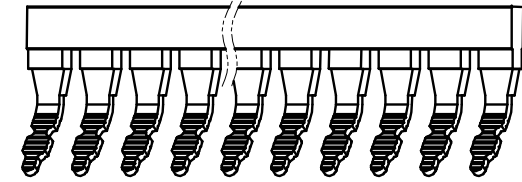
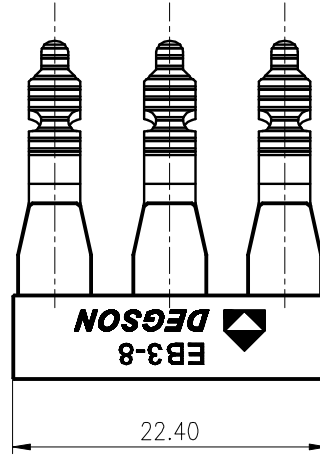


未注公差/General tolerances(mm)											0.1/10 EZ		
0 ~ 3	>3 ~ 6	>6 ~ 10	>10 ~ 18	>18 ~ 30	>30 ~ 50	>50 ~ 80	>80 ~ 120	>120 ~ 180	>180 ~ 250	>250 ~ 315		>315 ~ 400	>400 ~ 500
±0.12	±0.18	±0.22	±0.26	±0.31	±0.37	±0.57	±0.80	±0.93	±1.05	±1.15	±1.60	±2.20	±2.50
间距/Pitch(mm)/线数范围/Poles											8.20/N=02、03、10P		
使用温度范围/Operating temperature(°C)											-40~+105		
符合RoHS环保要求/Conform to RoHS											Yes		

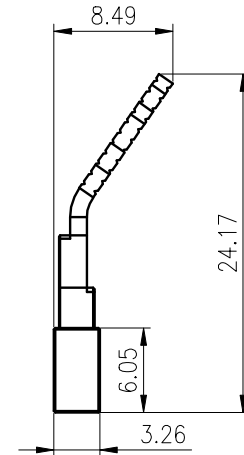
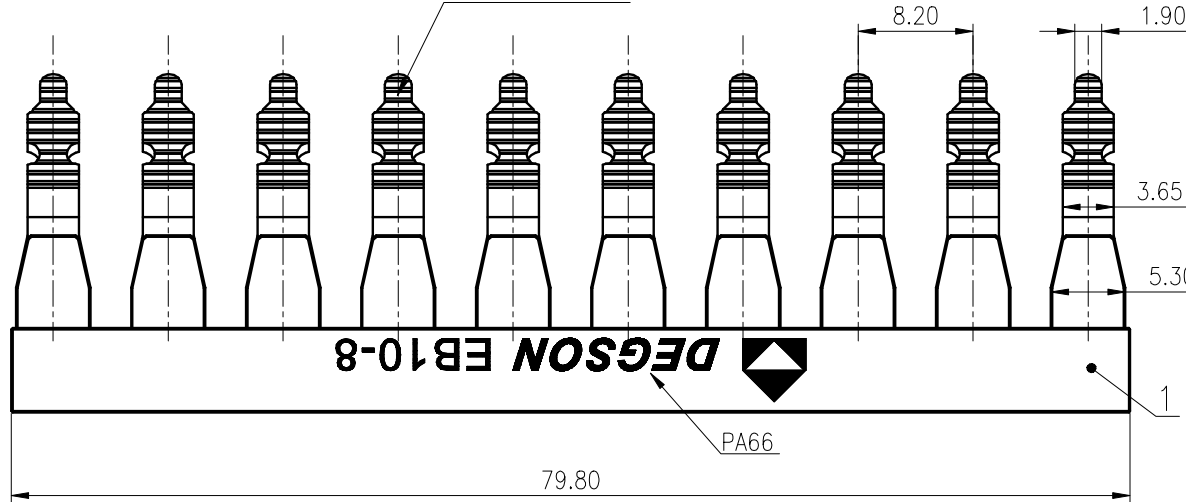
02P



03P



Material:Copper
Plating:Sn Plated



文管中心
研发专用
2020.07.13
(仅限内部使用, 对外无效)

REV	ECN	DESCRIPTION	DRFT	DATE

MATERIAL:		SURFACE:	
MAT NO.:	/	宁波高松电子有限公司 NINGBO DEGSON ELECTRICAL CO., LTD	
STATUS:	/	NAME: EBXX-8-1Y-00A(H)	
APPD: LiGL 2020.07.03	CHKD: Mek 2020.07.03	DRAWING NO.:	EBXX-8-C01
DRFT: MiSh 2020.07.02		REV	T0
		TYPE: CUSTOMER DRAWING	SCALE: 2:1
		SHEET	1/1

A

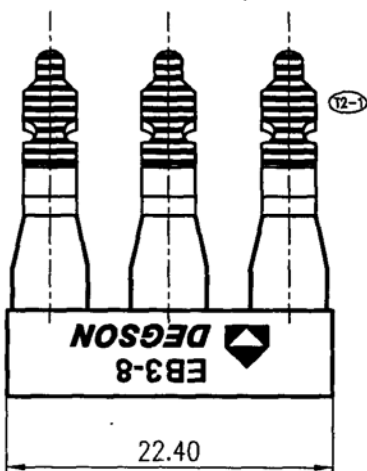
02P

(T2-1)



03P

(T2-1)



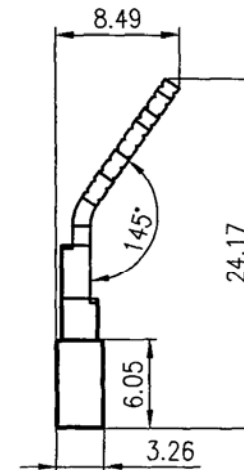
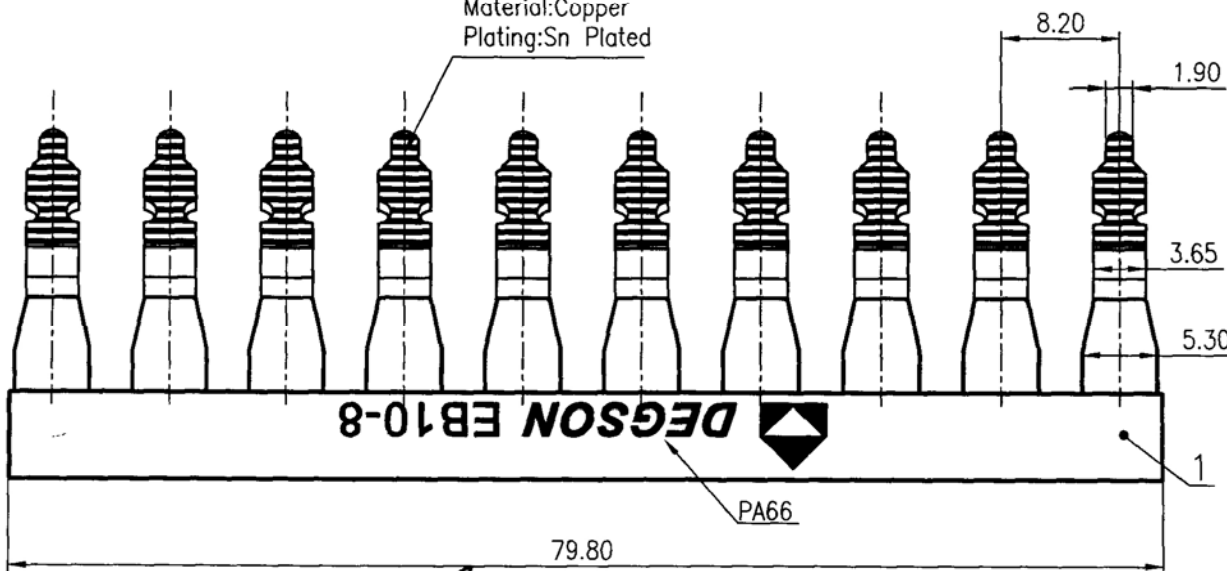
- NOTES1:
- 1.Dimension shall be interpreted per ASME Y14.5-2009
 - 2.Pitch : 8.20mm, Poles : N=02P,03P,10P
 - 3.Operating temperature:-40°C~+105°C
 - 4.Undimensioned tolerances:

Pitch range in mm		Nominal dimension range in mm						-	∩	□
TO	Over	Over	Over	Over	Over	Over	0.1/10			
6	10	10	24	30	60	100	150	<		
±0.15	±0.20	±0.30	±0.30	±0.50	±0.70	±1.00	±1.30	±2		

5.RoHS Compliance

B

Material:Copper
Plating:Sn Plated



C

D

2019.10.17

10P
2019.10.17

REV	ECN	DESCRIPTION	DRFT	DATE
(T2-1)		02P,03P change from outsourcing to homemade, modify structure and size according to 10P	MIS	2019.10.14
(T1)		Increase size spacing	YHG	2009.10.06

ITEM	NAME OF PART	MATERIAL	NOTES
1	EBXX-8-Wrap Housing		

MATERIAL:	SURFACE:
MAT NO.:	
STATUS:	
APPD:	
CHKD: <i>mek 2019.10.17</i>	NAME: DEGSON 宁波高松电子有限公司 NINGBO DEGSON ELECTRICAL CO., LTD
DRFT: YHG 2009.02.24	DRAWING NO.: EBXX-8-C01
SIZE: A4	TYPE: CUSTOMER DRAWING
SCALE: 2:1	REVISION: T2-1
	SHEET: 1/1