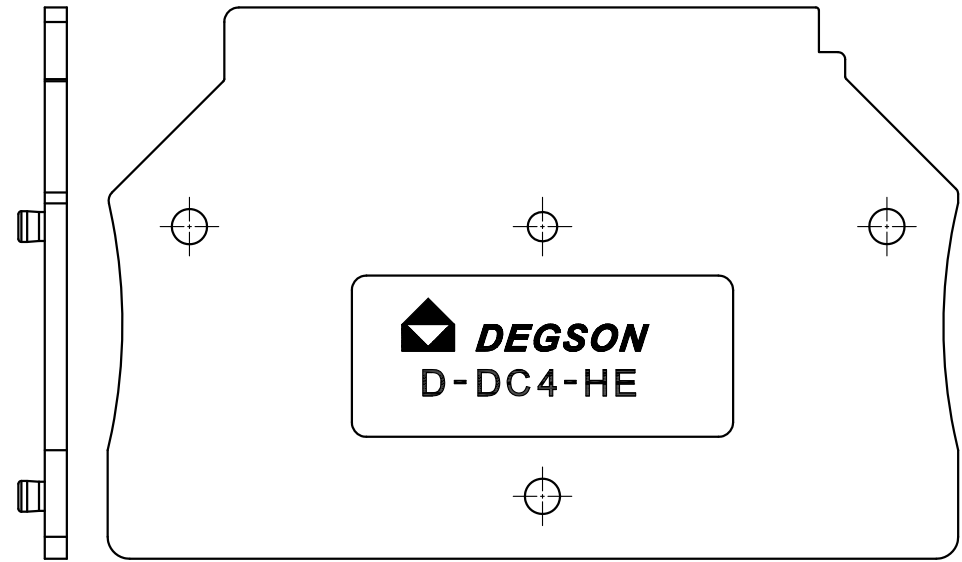
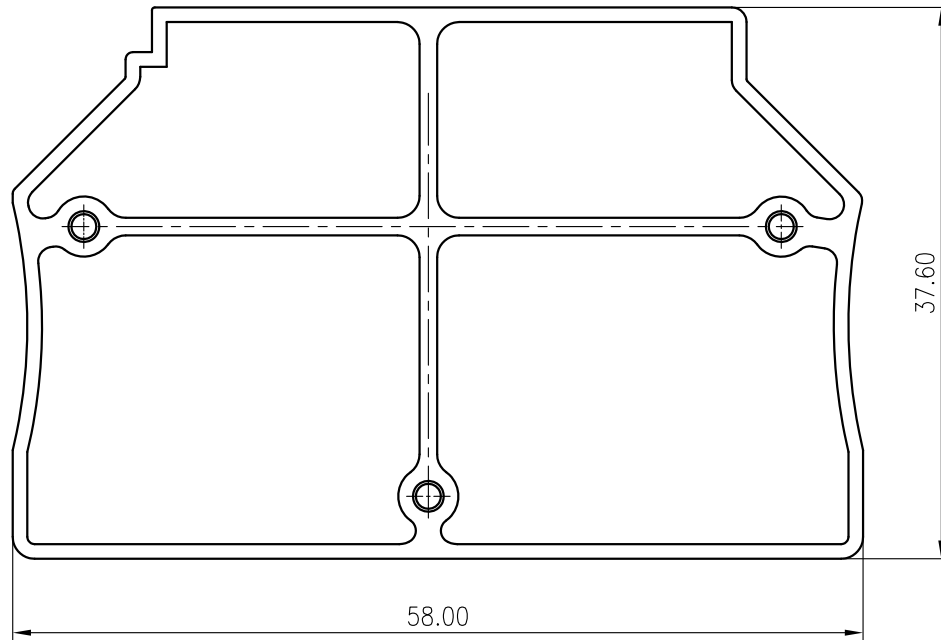
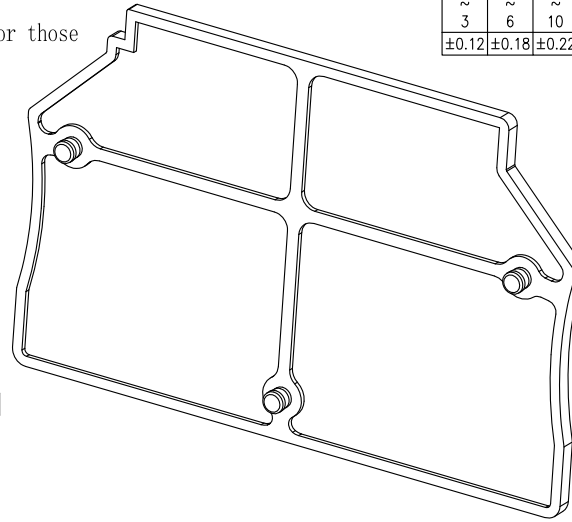
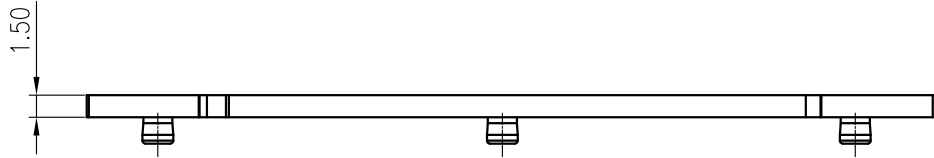




please refer to the 3D model, for those unmarked dimensions

未注公差/General tolerances(mm)														
0	>3	>6	>10	>18	>30	>50	>80	>120	>180	>250	>315	>400	>500	0.1/10 ±2'
~3	~6	~10	~18	~30	~50	~80	~120	~180	~250	~315	~400	~500		
±0.12	±0.18	±0.22	±0.26	±0.31	±0.37	±0.57	±0.80	±0.93	±1.05	±1.15	±1.60	±2.20	±2.50	
间距/Pitch(mm)/线数范围/Poles												01P		
使用温度范围/Operating temperature(°C)												-40~+105		
符合RoHS环保要求/Conform to RoHS												Yes		



MATERIAL: /		SURFACE: /	
MAT NO.: /		宁波高松电子有限公司 NINGBO DEGSON ELECTRICAL CO., LTD	
STATUS: /			
APPD: Li GL 2020.12.20		NAME: D-DC4-HE-01P-1Y-00A(H)	
CHKD: Ma EK 2020.12.20		DRAWING NO.: D-DC4-HE-C01	
DRFT: HuangSh 2018.07.31		REV TO	
⊕	SIZE: A4	TYPE: CUSTOMER DRAWING	SCALE: 2:1 SHEET 1/1

REV	ECN	DESCRIPTION	DRFT	DATE

Transfer or duplication of this document as well as the utilization or communication of its contents are prohibited unless explicit authorization is granted. Violations will be liable for compensation. All rights reserved for patent, utility, model or designs registrations. 除非给予明确授权，否则禁止转让、复制、利用、交流本文件的内容。侵犯者将承担赔偿责任。侵权者将承担赔偿责任。侵权者将承担赔偿责任。