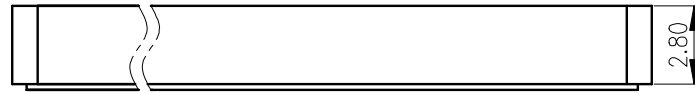


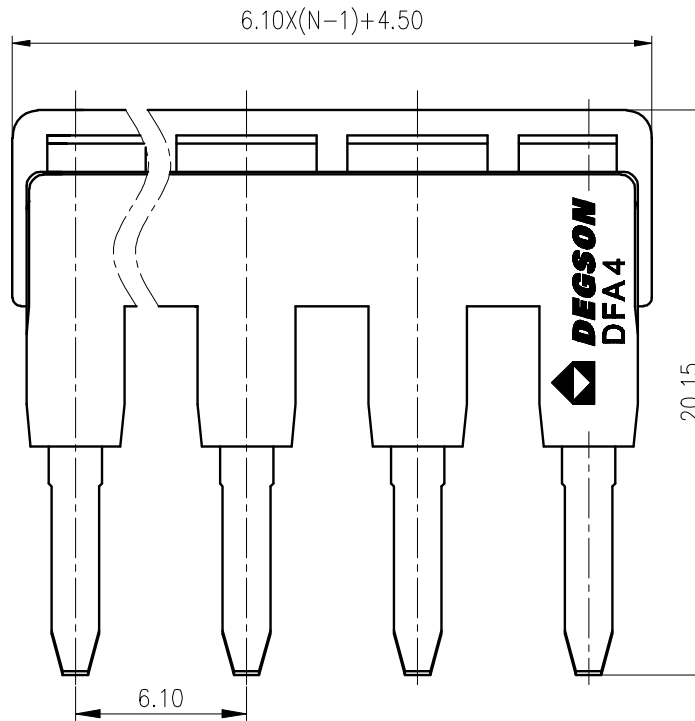


未注公差/General tolerances(mm)											0.1/10 ±2'		
0 ~ 3	>3 ~ 6	>6 ~ 10	>10 ~ 18	>18 ~ 30	>30 ~ 50	>50 ~ 80	>80 ~ 120	>120 ~ 180	>180 ~ 250	>250 ~ 315		>315 ~ 400	>400 ~ 500
±0.12	±0.18	±0.22	±0.26	±0.31	±0.37	±0.57	±0.80	±0.93	±1.05	±1.15	±1.60	±2.20	±2.50

A

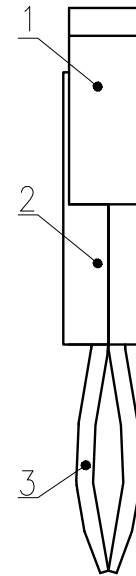


B



C

D



3	Bridgware	Copper	Sn Plated
2	Cover	PA66	UL94V-0
1	Housing	PA66	UL94V-0
ITEM NAME OF PART		MATERIAL NOTES	
间距/Pitch(mm)/线数范围/Poles		6.10/N=02~10P	
使用温度范围/Operating temperature(°C)		-40~+105	
符合RoHS环保要求/Conform to RoHS		Yes	

MATERIAL: /	SURFACE: /		
MAT NO.: /	宁波高松电子有限公司 NINGBO DEGSON ELECTRICAL CO., LTD		
STATUS: /			
APPD: Li GL 2020.06.04	NAME: DFA4-XXP-1Y-00A(H)		
CHKD: Mao J 2020.06.04	DRAWING NO.: DFA4-C01		
DRFT: ZhengQC 2020.06.04	REV		TO
REV	ECN	DESCRIPTION	DRFT
④	SIZE: A4	TYPE: CUSTOMER DRAWING	SCALE: 4:1
		SHEET	1/1