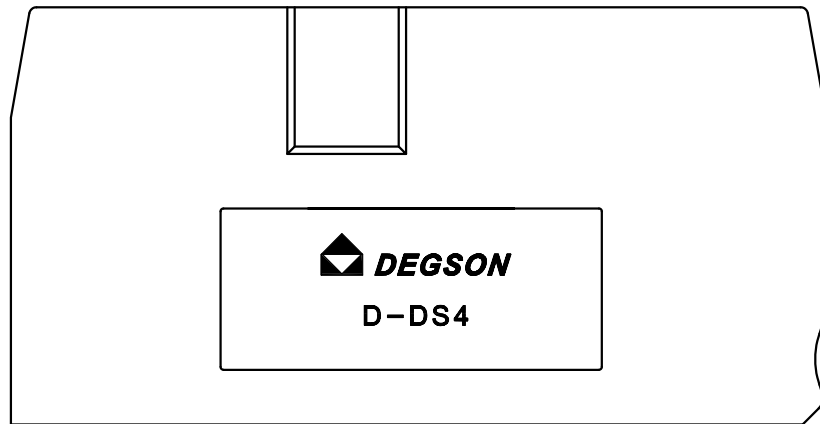
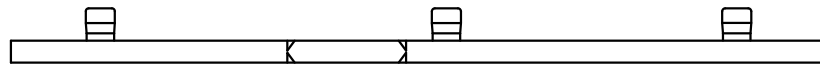
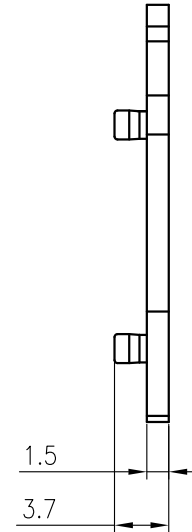
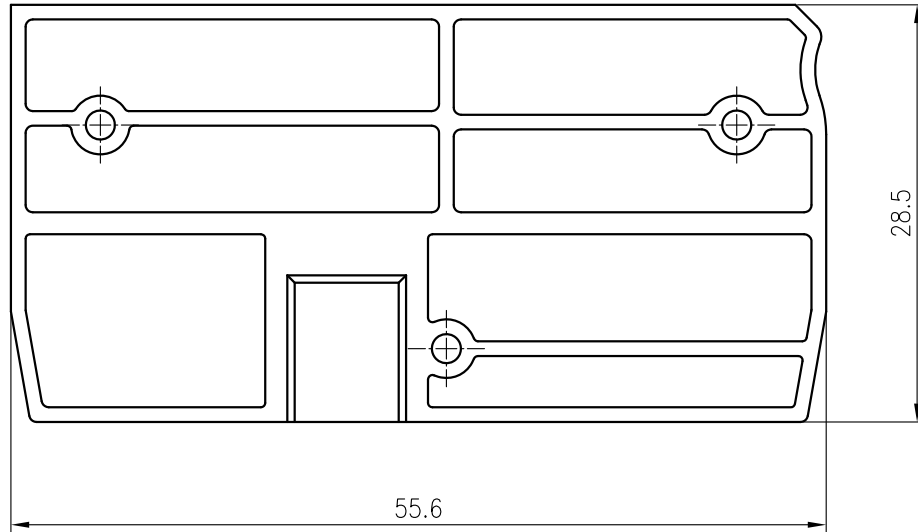
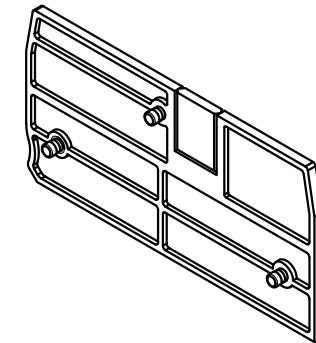




未注公差/General tolerances(mm)											0.1/10		
0	>3	>6	>10	>18	>30	>50	>80	>120	>180	>250		>315	>400
~3	~6	~10	~18	~30	~50	~80	~120	~180	~250	~315	~400	~500	~2.50
±0.12	±0.18	±0.22	±0.26	±0.31	±0.37	±0.57	±0.80	±0.93	±1.05	±1.15	±1.60	±2.20	±2.50



Please refer to the 3D model, for those unmarked dimensions



间距/Pitch(mm)	1.5
使用温度范围/Operating temperature(°C)	-40~+105
符合RoHS环保要求/Conform to RoHS	Yes

MATERIAL: /	SURFACE: /	
MAT NO.:	宁波高松电子有限公司 NINGBO DEGSON ELECTRICAL CO., LTD	
STATUS: /	NAME: D-DS4-01P-1Y-00A(H)	
APPD: Li GL 2020.11.27	DRAWING NO.: D-DS4-C01	REV TO
CHKD: Mao J 2020.11.27	TYPE: CUSTOMER DRAWING	SCALE: 2:1 SHEET 1/1
DRFT: Chen K 2020.11.27		

REV	ECN	DESCRIPTION	DRFT	DATE

Transfer or duplication of this document as well as the utilization or communication of its contents are prohibited unless explicit authorization is granted. Violations will be liable for compensation. All rights reserved for patent, utility, model or designs registrations. 除非给予明确授权，否则禁止转让、复制、利用、交易本文件的内容。未经许可擅自涉及发明、实用新型或外观设计的所有权利。违者将承担法律责任。本公司保留对涉及发明、实用新型或外观设计的所有权利。