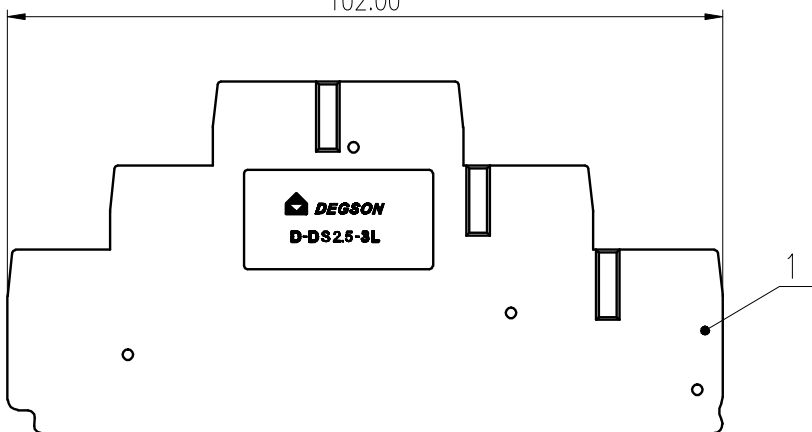


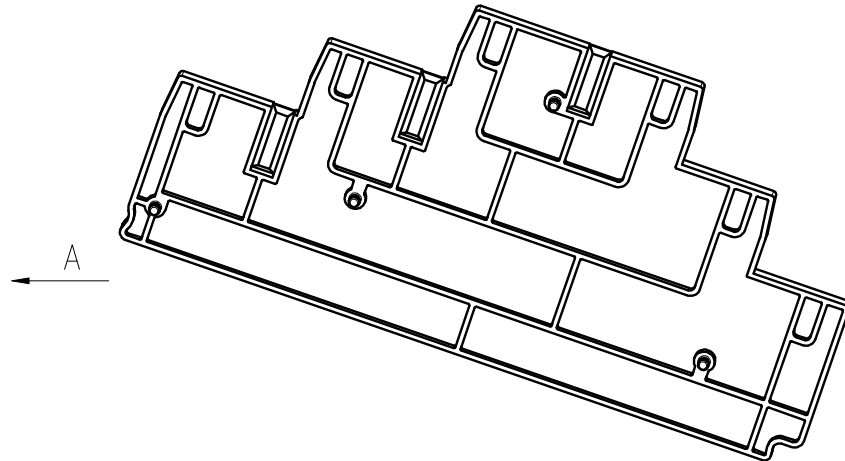
VIEW A

102.00



未注公差/General tolerances(mm)											0.1/10		
0	>3	>6	>10	>18	>30	>50	>80	>120	>180	>250			
~3	~6	~10	~18	~30	~50	~80	~120	~180	~250	~315	~400	~500	±2'
±0.12	±0.18	±0.22	±0.26	±0.31	±0.37	±0.57	±0.80	±0.93	±1.05	±1.15	±1.60	±2.20	±2.50

please refer to the 3D model, for those unmarked dimensions



ITEM	NAME OF PART	MATERIAL	NOTES		
1	Housing	PA66	UL94 V-0		
UL 标准/UL Standard:		B	C	D	
额定电压/电流/Rated Voltage(V)/Current(A)		/	/	/	
IEC 标准/IEC Standard:					
过压类别/Overvoltage Category/污染等级/Pollution Degree		III/3	III/2	II/2	
额定电压/电流/Rated Voltage(V)/Current(A)		/	/	/	
额定脉冲电压(KV)/Rate Impulse Voltage(KV)		/	/	/	
螺丝扭矩/Torque Tightening(N·m/Lb.in)		/			
线径范围(硬线和软线)/Wire Range(rigid and flexible)(AWG/mm ²)		/			
间距/Pitch(mm)/线数范围/Poles		2.20/N=01P			
剥线长度/Stripping length(mm)		/			
使用温度范围/Operating temperature(°C)		-40~+105			
符合RoHS环保要求/Conform to RoHS		Yes			
标准颜色编号/Standard color number:		/			
PANTONE / RAL		/			

MATERIAL:	/	SURFACE:	/
MAT NO.:	/	宁波高松电子有限公司 NINGBO DEGSON ELECTRICAL CO., LTD	
STATUS:	/		
APPD:	Li GL 2021.04.10	NAME:	
CHKD:	/	D-DS2.5-3L-01P-1Y-00A(H)	
DRFT:	MaEK 2021.04.10	DRAWING NO.:	11000115
REV	ECN	DESCRIPTION	DRFT
DATE	SIZE: A4	TYPE: CUSTOMER DRAWING	SCALE: 2:1
REV	ECN	DESCRIPTION	DRFT
DATE	SIZE: A4	TYPE: CUSTOMER DRAWING	SCALE: 2:1
REV	ECN	DESCRIPTION	DRFT
DATE	SIZE: A4	TYPE: CUSTOMER DRAWING	SCALE: 2:1

Transfer or duplication of this document as well as the utilization or communication of its contents are prohibited unless explicit authorization is granted. Violations will be liable for compensation. All rights reserved for patent, utility model or designs registrations. 未经许可复制或传播本文件内容，或在本文件内容基础上进行设计、复制或、交流本文件内容，一经发现，侵权必究。本公司保留追究法律责任，采用法律手段维护合法权益。