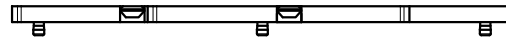




未注公差/General tolerances(mm)											0.1/10		
0	>3	>6	>10	>18	>30	>50	>80	>120	>180	>250		>315	>400
~3	~6	~10	~18	~30	~50	~80	~120	~180	~250	~315	~400	~500	~2.50
±0.12	±0.18	±0.22	±0.26	±0.31	±0.37	±0.57	±0.80	±0.93	±1.05	±1.15	±1.60	±2.20	±2.50

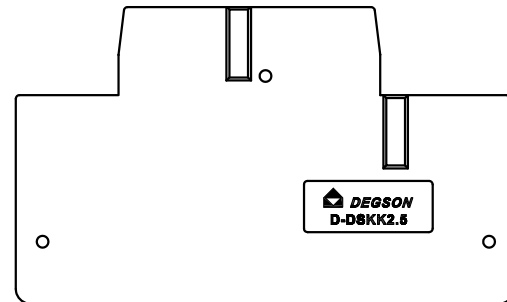
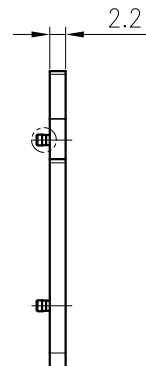
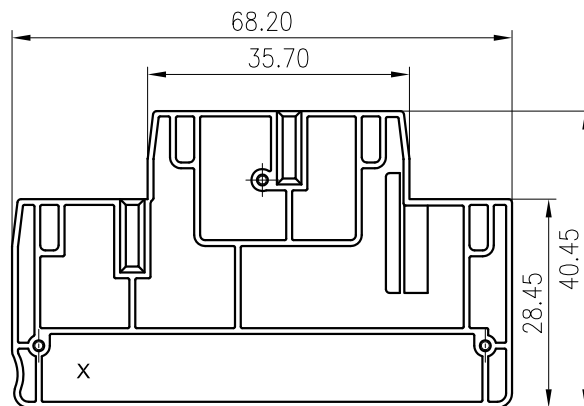
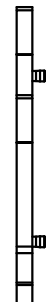
A

A



B

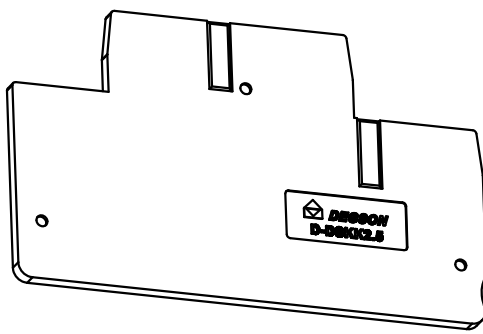
B



C

C

Please refer to the 3D model for those unmarked dimensions



文管中心
研发专用
2020.10.20
(仅限内部使用, 对外无效)

间距/Pitch(mm)/线数范围/Poles	2.2/N=01P
使用温度范围/Operating temperature(°C)	-40~+105
符合RoHS环保要求/Conform to RoHS	Yes
标准颜色编号/Standard color number:	/
PANTONE / RAL	/

D

D

MATERIAL: /	SURFACE: /					
MAT NO.: /	宁波高松电子有限公司 NINGBO DEGSON ELECTRICAL CO., LTD					
STATUS: /						
APPD: LiGL 2020.10.20	NAME: D-DSKK2.5-01P-1Y-00A(H)					
CHKD: MaEK 2020.10.20	DRAWING NO.: D-DSKK2.5-C01					
DRFT: YanH 2020.10.14	REV	TO				
SIZE: A4 <table border="0" style="display: inline-table; vertical-align: middle;"> <tr> <td>← mm</td> <td>→</td> </tr> <tr> <td>(inch)</td> <td></td> </tr> </table>	← mm	→	(inch)		TYPE: CUSTOMER DRAWING	SCALE: 1:1
← mm	→					
(inch)						
	SHEET	1/1				

REV	ECN	DESCRIPTION	DRFT	DATE