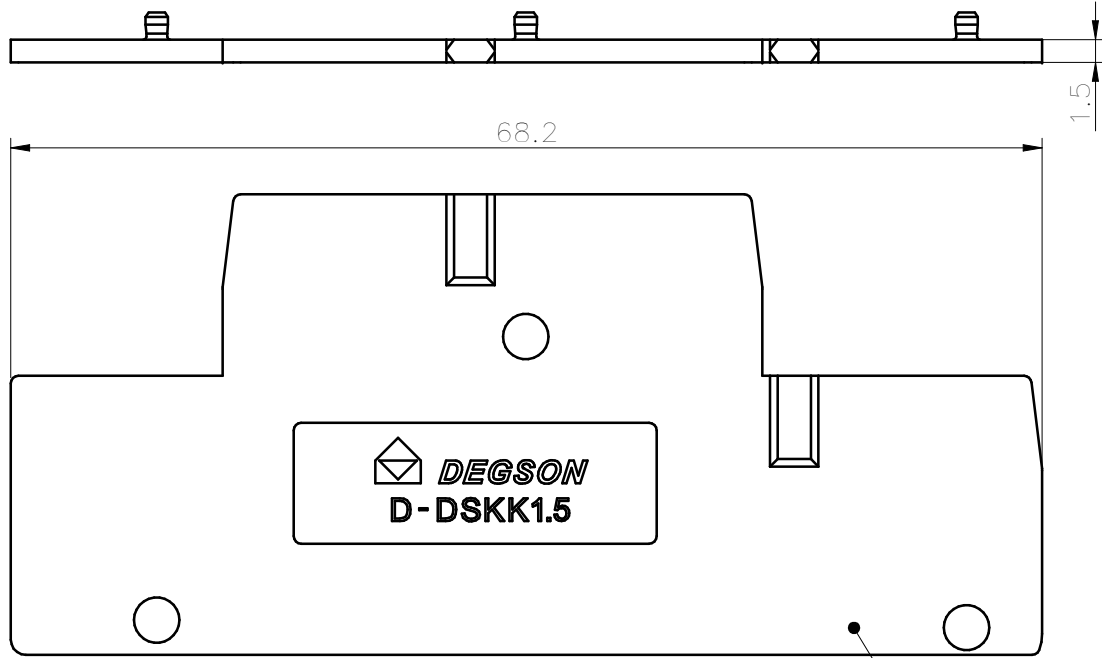
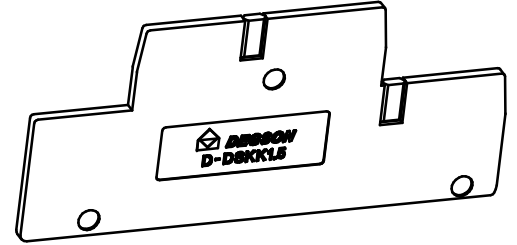


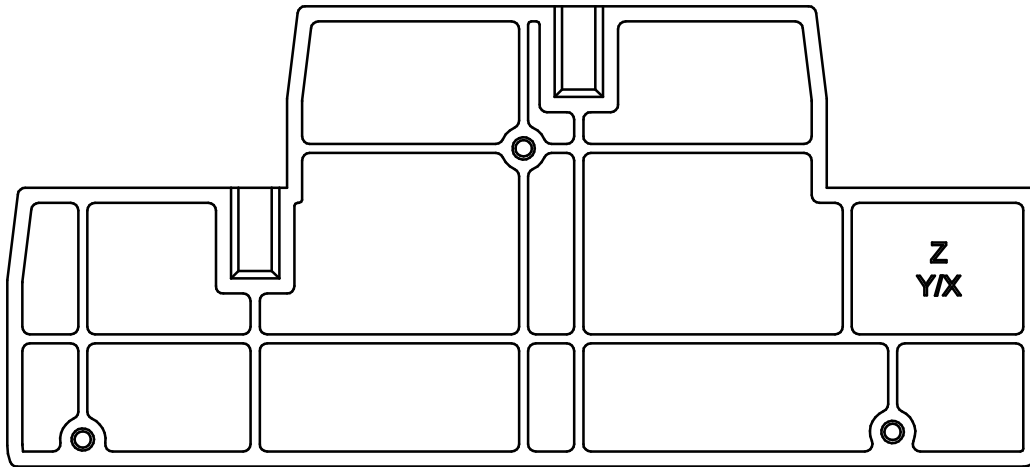
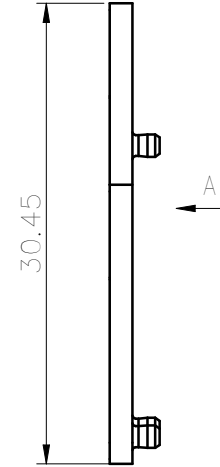
未注公差/General tolerances(mm)											0.1/10		
0 ~ 3	>3 ~ 6	>6 ~ 10	>10 ~ 18	>18 ~ 30	>30 ~ 50	>50 ~ 80	>80 ~ 120	>120 ~ 180	>180 ~ 250	>250 ~ 315		>315 ~ 400	>400 ~ 500
±0.12	±0.18	±0.22	±0.26	±0.31	±0.37	±0.57	±0.80	±0.93	±1.05	±1.15	±1.60	±2.20	±2.50

please refer to the 3D model, for those unmarked dimensions



VIEW A

1



ITEM	NAME OF PART	MATERIAL	NOTES
1	D-DSKK1.5-01P-1Y-00A(H)	PA66	UL94V-0
UL 标准/UL Standard:		B	C
额定电压/电流/Rated Voltage(V)/Current(A)		/	/
IEC 标准/IEC Standard:			
过压类别/Overvoltage Category/污染等级/Pollution Degree		III/3	III/2
额定电压/电流/Rated Voltage(V)/Current(A)		/	/
额定脉冲电压(KV)/Rate Impulse Voltage(KV)		/	/
螺丝扭矩/Torque Tightening(N·m/Lb.in)			/
线径范围(硬线和软线)/Wire Range(rigid and flexible)(AWG/mm ²)			/
间距/Pitch(mm)/线数范围/Poles			1.50/N=01P
剥线长度/Stripping length(mm)			/
使用温度范围/Operating temperature(°C)			-40~+105
符合 RoHS 环保要求/Conform to RoHS			Yes
标准颜色编号/Standard color number: PANTONE / RAL			/

DEGSON		MATERIAL: PA66	SURFACE:	
APPD: 李根旁 2021.06.03		MAT NO./REV: 1106000372-1 / 00		MAT STATUS: 小批量
CHKD: 马恩开 2021.06.02		NAME		
DRFT: 马恩开 2021.06.02		D-DSKK1.5-01P-11-00A(H)		
DRAWING NO.	TYPE	DRAWING STATUS	SCALE	SHEET
000008810	CUSTOMER DRAWING	已发布	2:1	1/1

REV	ECN	DESCRIPTION	DRFT	DATE
00	ECN	2021.06.02初版发行	马恩开	2021.06.02

Transfer or duplication of this document as well as the utilization or communication of its contents are prohibited unless authorized in writing. All rights reserved for patent, utility model or design registrations. 非经书面明确授权, 否则禁止转让、复制、利用、交流本文件的内容。未经书面明确授权, 否则禁止转让、复制、利用、交流本文件的所有权利。