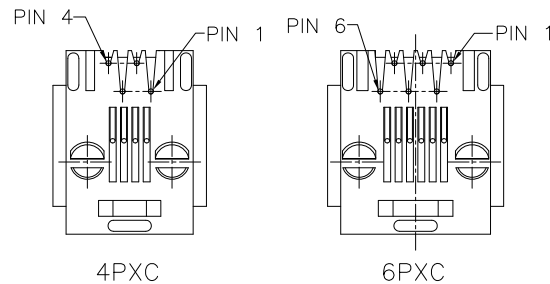


DETAIL B  
(SCALE 2:1)



Specifications:  
 Current Rating: 1.5A AC/DC  
 Voltage Rating: 125V AC/DC  
 Contact Resistance: 20m ohm Max.  
 Insulation Resistance: 500 ohm Min.  
 Withstanding Voltage: 1,000/minute  
 Temperature range: -40°C to +85°C

MATERIAL:  
 Insulator:PBT With Glass Fiber  
 UL94V-0, Standard Color:Black  
 Contact:Phosphor Bronze  
 FINISH:  
 Contact:Gold Plating  $\triangle$

MECHANICAL:  
 Durability:1,000 mating cycles

How To Order  
 7006-XPXC-XX  $\triangle$

01:W/O Flange  
 Blank:With Flange  
 Number Of Contacts  
 Number Of Postions

No. Of Position	No. Of Contacts	Dimension							
		A	B	C	D	E	F	G	H
4	4	13.8	11.43	7.88	3.00	5.60	2.9	3.81	7.62
6	4/6	16.0	13.46	9.88	4.06	6.70		6.35	10.16
8	6/8	17.9	15.5	11.91	4.10	6.60	3.9	8.89	11.43

RoHS Compliant

REV	DATE	FILE	BY
F	06-Nov-2018	Update	Jamie Wang
E	03-Jul-2018	Update	Livia
D	29-Apr-2008	ECN-CN080436	P.D.J
C	14-Jun-2007		P.D.J

DRAWN:  
 CEL KING  
 CHECKED:  
 Jeremy Liu  
 APPROVAL:  
 Mike Wu

GENERAL TOLERANCE:  
 .X=±0.25  
 .XX=±0.13  
 .XXX=±0.05  
 UNIT: MM  
 SCALE: 1:1  
 SHEET: 1 / 2  
 PROJECTION:  $\oplus$



**Neltron Industrial Co., Ltd.**

DESCRIPTION:  
 180° (SPLIT PEGS) TOP ENTRY PCB JACK

PART NO:  
 7006-XPXC-XX  $\triangle$

SIZE

**A4**

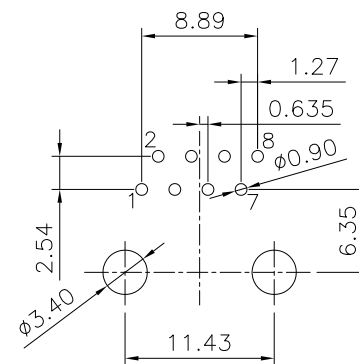
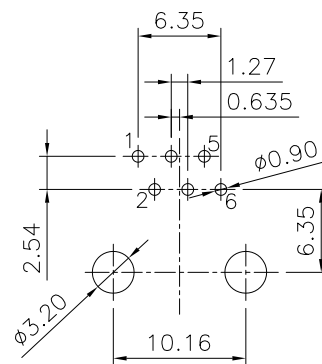
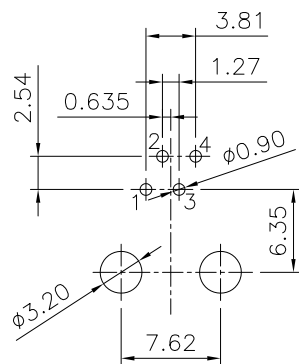
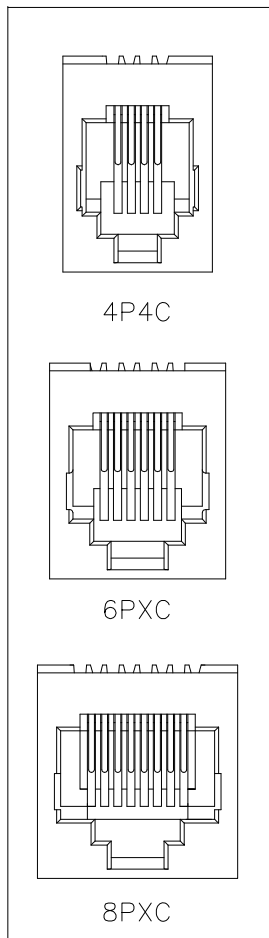
1

2

3

4

5



PC Board Layout

FLANGELESS TYPE

RoHS Compliant

F	06-Nov-2018	Update	Jamie Wang
E	03-Jul-2018	Update	Livia
D	29-Apr-2008	ECN-CN080436	P.D.J
C	14-Jun-2007		P.D.J
REV	DATE	FILE	BY

DRAWN:	CEL KING
CHECKED:	Jeremy Liu
APPROVAL:	Mike Wu

GENERAL TOLERANCE:	.X=±0.25 .XX=±0.13 .XXX=±0.05
UNIT:	MM
SCALE:	1:1
SHEET:	2 / 2
PROJECTION:	



DESCRIPTION:	180° (SPLIT PEGS) TOP ENTRY PCB JACK
PART NO:	7006-XPXC-XX

SIZE

**A4**