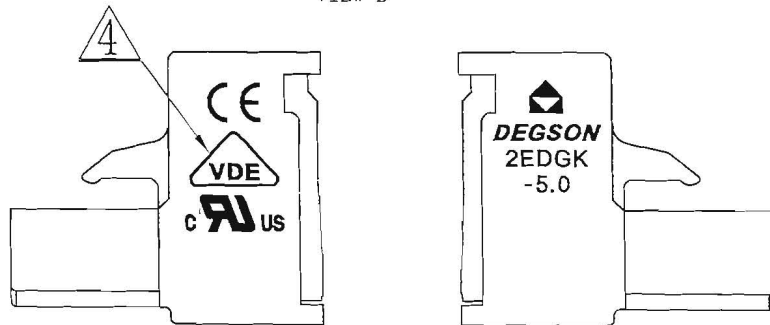
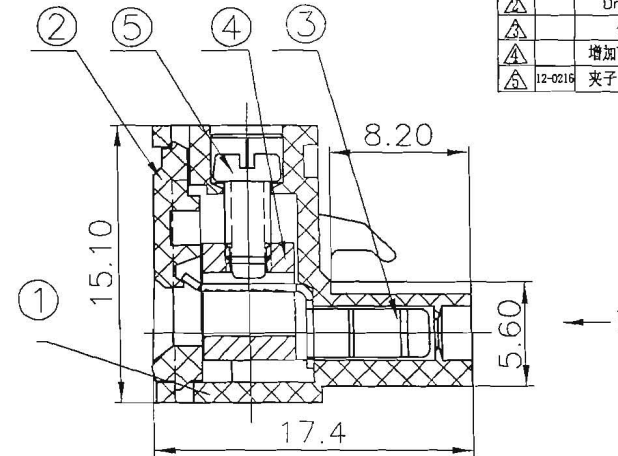


VIEW-B



REVISION RECORD				
REV	ECO	DESCRIPTION	DRFT	DATE
△		Drawing emend	VF	01/05/06
△		修改UL刻字	CSX	06/18/07
△		增加VDE、CE认证标志	LJH	01/14/08
△	12-0216	夹子电镀由镀锌改为镀镍	XML	01/07/13



SECTION A-A

Notes:

- Pitch: 5.0mm Poles:2-24p
- Rated voltage/current:UL 300V/15A  
VDE 320V/20A
- Insulation resistance: 5000MΩ/1000V
- Withstanding voltage: AC2500V/1min
- Wire range: 28-12AWG 2.5mm<sup>2</sup>
- Temp. Range: -40° C~+105° C
- Torque: 4.08kgf.cm
- Undimensioned Tolerances:

Pitch range in mm		Nominal dimension range in mm					
to	over	to	over	over	over		
6	10	30	60	100	150	∩	
to 6	to 10	to 30	to 60	to 100	to 150	∇	
±0.10	±0.15	±0.25	±0.2	±0.3	±0.7	±1.0/0.05/0	



5	2EDG "—"Screws-M2.5	S000001370(H)	XX	Steel	Cr <sup>3+</sup> Zn
4	DG128-Brass cage	X00000020(H)	XX	Brass	Ni plated
3	2EDG-Clamp	1005B00010(H)	XX	Phospor bronze	Sn plated
2	2EDGK-5.0-Cover	1016C0YXXA(H)	1	PA66	UL94V-0

1	2EDGK-5.0-Housing	1016A0YXXA(H)	1	PA66	UL94V-0
ITEM	NAME OF PART	NO. OF PART	Q'TY	MATERIAL	NOTES
MM (INCH) TOLERANCES EXCEPT AS NOTED .05 ± .00 ± .000 ±		DFTO Hooyh CHKD DATE 04/18/05 MFO FHX6 DATE 01/10/13 APPVL Alan DATE 01/14/13	DEGSN® 宁波高正电子有限公司 DEGSN ELECTRONICS CO., LTD NAME 2EDGK-5.0-XXP-1Y-00A(H)		
ANGLES ± 1° THIRD ANGLE PROJECTION		G.E.:	DRAWING NO. 2EDGK-5.0-E10 /PART NO.		
SCALE: 1:1		DO NOT SCALE DRAWING		SHEET 1	OF 1