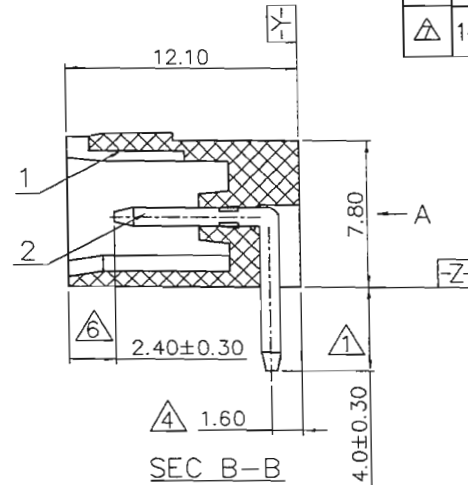
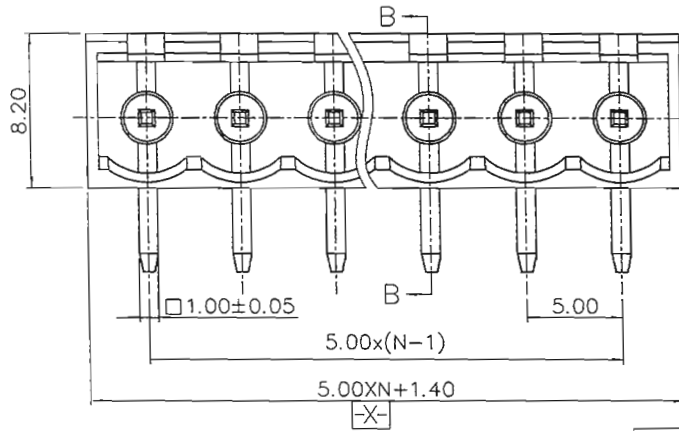
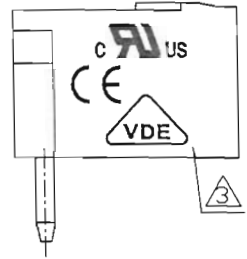
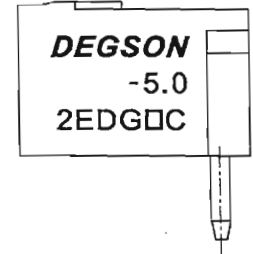


VIEW A



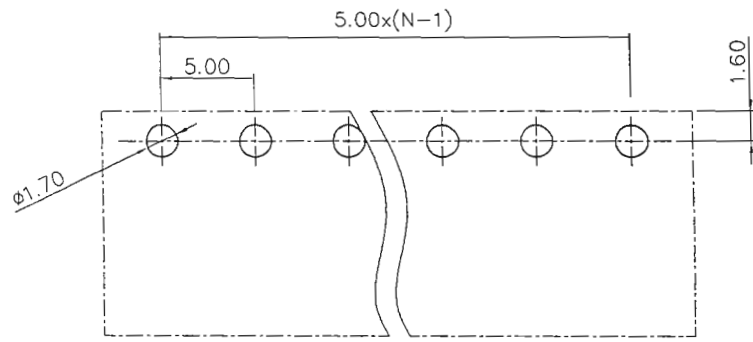
SEC B-B



REVISION RECORD				
REV	ECN	DESCRIPTION	DRFT	DATE
△		4.5±0.1变更到4.0±0.3	DZJ	06/14/05
△		图面更新	CSX	04/08/06
△		增加VDE、CE刻字	Yej	02/26/08
△		更新图面	LJH	04/16/08
△		增加自动化方针	WLM	09/23/08
△	10-0329	增加标注尺寸	COCO	09/0/08
△	14-0107	黄铜变紫铜, 料号变更; 工频耐压变更为额定冲击电压	XLM	06/23/14

- NOTES:
- 1.DIMENSION SHALL BE INTERPRETED PER ASME Y14.5-2009.
 - 2.PITCH: 5.0MM ,POLES: 2-24P
 - 3.RATED VOLTAGE/CURRENT: UL 300V/15A VDE 320V/20A
 - 4.OPERATION TEMPERATURES: -40℃~+105℃
 - 5.RATED IMPULSE VOLTAGE: 4.0KV
 - 6.INSULATION RESISTANCE: 5000MΩ/DC1900V
 - 7.UNDIMENSIONED TOLERANCES:

Pitch range in mm			Nominal dimension range in mm				
to	over	to	to	over	over	over	
6	6	10	30	30	60	100	150
6	10	24	30	60	100	150	150
±0.10	±0.15	±0.25	±0.2	±0.3	±0.5	±0.7	±1.0



P.C.B LAYOUT

ITEM	NAME OF PART	NO. OF PART	Q"TY	MATERIAL	NOTES
2	2EDGR(A)-Pin header Automatic assembly	1008B00340(H)	XX	COPPER	Sn Plated
2	2EDGR(A)-Pin header Manual assembly	1008B00330(H)	XX	COPPER	Sn Plated
1	2EDGRC-5.0 Housing	1019A0YXXA(H)	1	PA66	UL94V-0

DEGSON 宁波高正电子有限公司
DEGSON ELECTRONICS CO., LTD

NAME: 2EDGRC-5.0-XXP-1Y-00A(H)
TITLE: ASSEMBLY DRAWING
DRAWING NO.: 2EDGRC-5.0-E02
REV: 17

APPD: *Aspxon 11/22/14*
CHKD: *XLM 12/20/14*
DRFT: HW 05/05/05

DO NOT SCALE DRAWING SCALE N/A SHEET 1/1