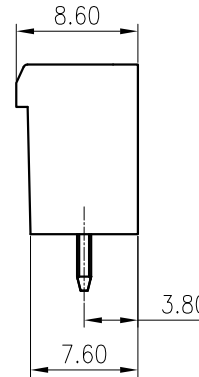
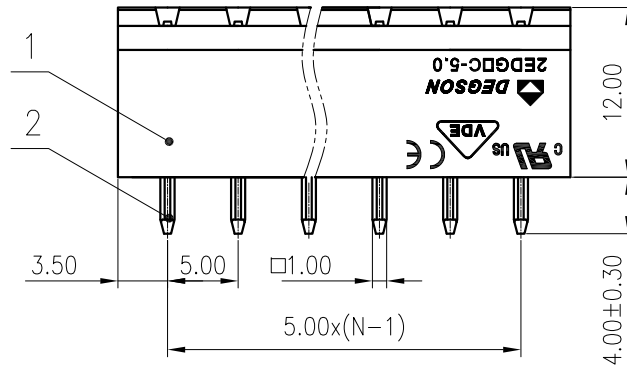
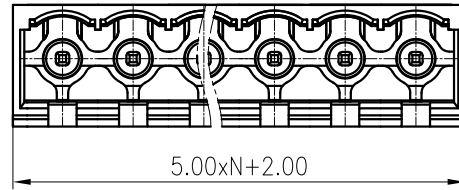
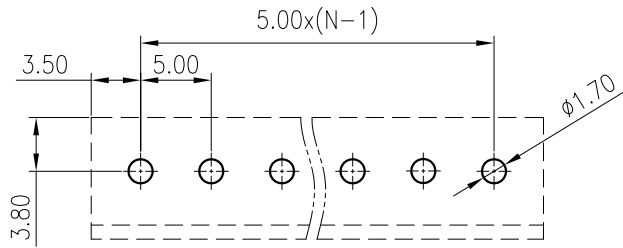


未注公差/General tolerances(mm)												0.1/10	
0	>3	>6	>10	>18	>30	>50	>80	>120	>180	>250	>315		>400
~3	~6	~10	~18	~30	~50	~80	~120	~180	~250	~315	~400	~500	>500
±0.12	±0.18	±0.22	±0.26	±0.31	±0.37	±0.57	±0.80	±0.93	±1.05	±1.15	±1.60	±2.20	±2.50

PCB LAYOUT



2	Pin	Copper	Sn Plated
1	Housing	PA66	UL94V-0
ITEM	NAME OF PART	MATERIAL	NOTES
UL 标准/UL Standard:			
额定电压/电流/Rated Voltage(V)/Current(A)		B	C
		300/15	/ 300/10
IEC 标准/IEC Standard:			
过压类别/Overvoltage Category/污染等级/Pollution Degree			
			III/2
额定电压/电流/Rated Voltage(V)/Current(A)			320/20
额定脉冲电压(kV)/Rate Impulse Voltage(kV)			4
间距/Pitch(mm)/线数范围/Poles			5.0/N=02P~24P
使用温度范围/Operating temperature(°C)			-40~+105
符合RoHS环保要求/Conform to RoHS			Yes
标准颜色编号/Standard color number:			/
PANTONE / RAL			

文管中心  
研发专用  
2020.03.24  
(仅限内部使用, 对外无效)

REV	ECN	DESCRIPTION	DRFT	DATE

MATERIAL: /	SURFACE: /		
MAT NO.: /	宁波高松电子有限公司 NINGBO DEGSON ELECTRICAL CO., LTD		
STATUS: /			
APPD: LanChH 2020.03.24	NAME: 2EDGVC-5.0-XXP-1Y-100A(H)		
CHKD: GongYZh 2020.03.24	DRAWING NO.: 10001604		
DRFT: Fan JY2020.03.24	REV	TO	
SIZE: A4                  mm (inch)	TYPE: CUSTOMER DRAWING	SCALE: 2:1	SHEET 1/1