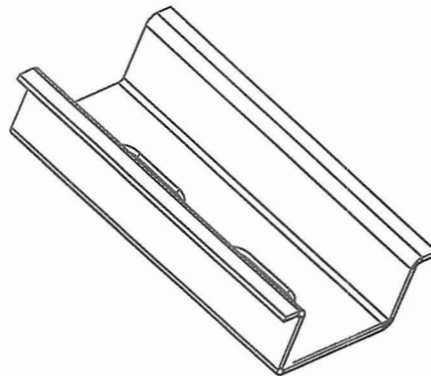
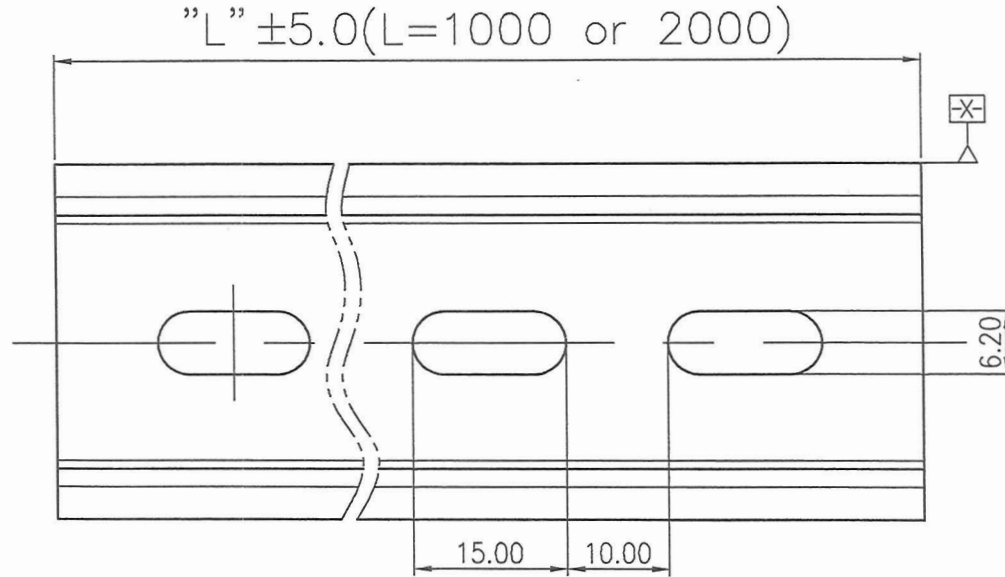
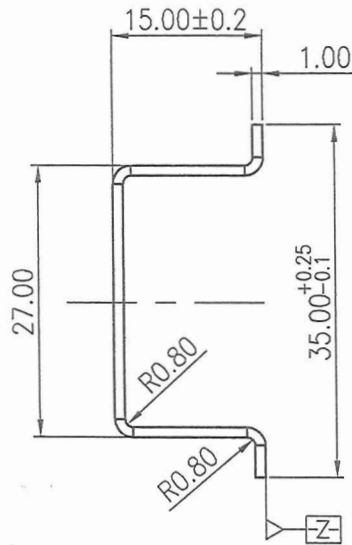




REVISION RECORD				
REV	ECN	DESCRIPTION	DRFT	DATE



NOTES:

- 1.Dimension shall be interpreted per ASME Y14.5-2009
- 2.Undimensioned Tolerances:

Pitch Range In mm		Nominal Dimension Range In mm					—	∩	∇
TO	Over	TO	Over	TO	Over	TO	Over	0.1/10	
6	10	10	24	30	60	100	150	<	
±0.15	±0.20	±0.30	±0.30	±0.50	±0.70	±1.00	±1.30	±2'	

3.RoHS Compliance



1	NS35/15-X000-00A(H)	1	STEEL	Zn plated
ITEM	NAME OF PART	Q"TY	MATERIAL	NOTES

DETACHED LISTS	PART NO.: /	NINGBO DEGSON ELECTRICAL CO., LTD		
	APPD: <i>Bawn 2016.10.10</i>	NAME: NS35/15-X000-00A(H)		
	CHKD: <i>Dicky 07/25/16</i>	TITLE: CUSTOMER DRAWING		
	DRFT: <i>Dicky 11/30/15</i>	REV	TO	
THIRD ANGLE PROJECTION		DRAWING NO.: NS35/15-C02	SHEET	1/1
		MM (INCH)	DO NOT SCALE DRAWING	SCALE 1:1