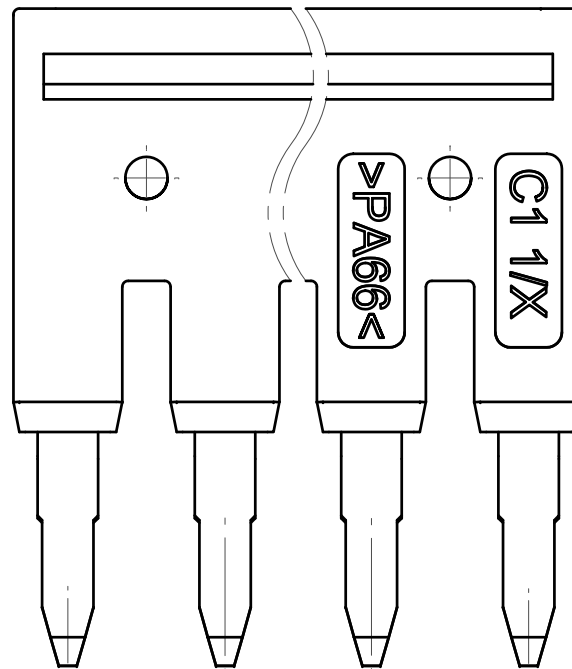
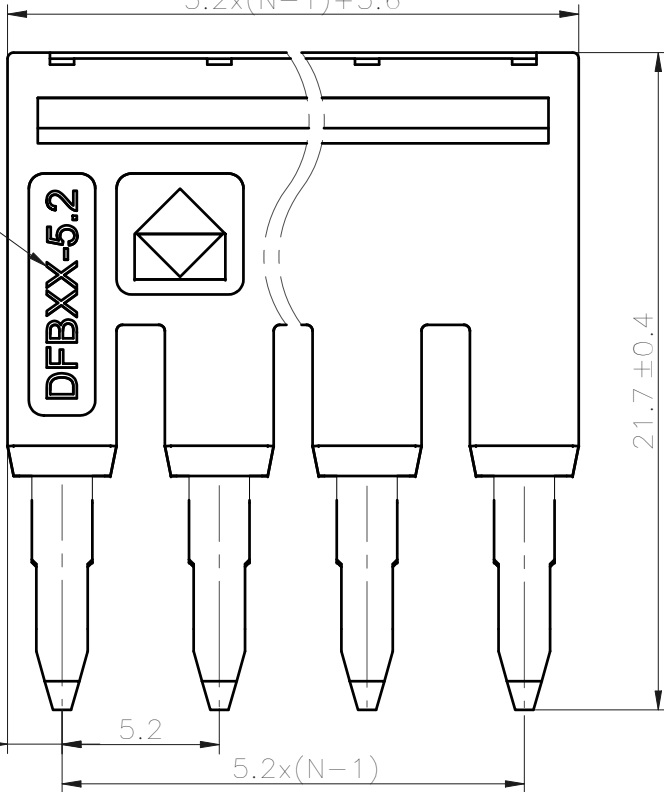


未注公差/General tolerances(mm)											0.1/10			
0 ~ 3	>3 ~ 6	>6 ~ 10	>10 ~ 18	>18 ~ 30	>30 ~ 50	>50 ~ 80	>80 ~ 120	>120 ~ 180	>180 ~ 250	>250 ~ 315		>315 ~ 400	>400 ~ 500	>500
±0.12	±0.18	±0.22	±0.26	±0.31	±0.37	±0.57	±0.80	±0.93	±1.05	±1.15	±1.60	±2.20	±2.50	±2'

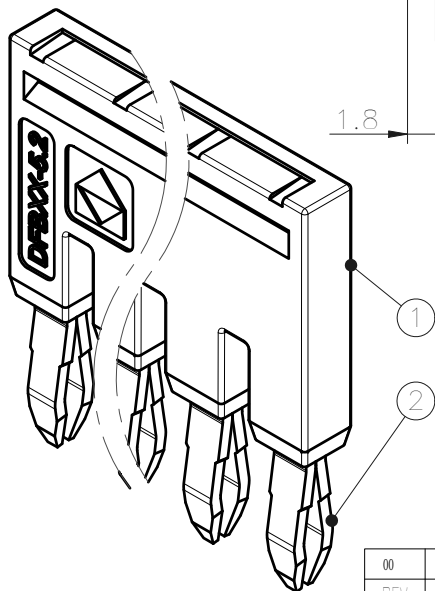
XX:2-10,20

$$5.2 \times (N-1) + 3.6$$

3



Please refer to the 3D model, for those unmarked dimensions



2	Current	Copper	B_Sn_Plated
1	Housing	PA66	UL94V_0
ITEM	NAME OF PART	MATERIAL	NOTES

间距/Pitch(mm)/线数范围/Poles	5.2/N=2~10P,20P
使用温度范围/Operating temperature(°C)	-40~+105
符合RoHS环保要求/Conform to RoHS	Yes

<b>DEGSON</b>		MATERIAL:	SURFACE:	
APPD: 李根旁	2021.09.28	MAT NO./REV:	/	
CHKD: 马恩开	2021.09.28	NAME		
DRFT: 霍恩榕	2021.09.28	DFBXX-5.2-16-00A (H)		
④	A4	DRAWING NO.	TYPE	DRAWING STATUS
mm (inch)		20000754	CUSTOMER DRAWING	已发布
		SCALE	4:1	SHEET
				1/1

00	ECN	初版发行	霍恩榕	2021.09.28
REV	ECN	DESCRIPTION	DRFT	DATE

Transfer or duplication of this document as well as the utilization or communication of its contents are prohibited unless explicit authorization is granted. Degson reserves all rights for compensation. All rights reserved for patent, utility model or designs registrations. 非经许可擅自复制或传播, 否则禁止转让、复制、利用、交加本文件内容, 一经发现将追究法律责任。 侵权者将承担全部法律责任。 实用型专利和外观设计专利的所有权利。