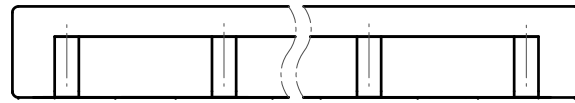
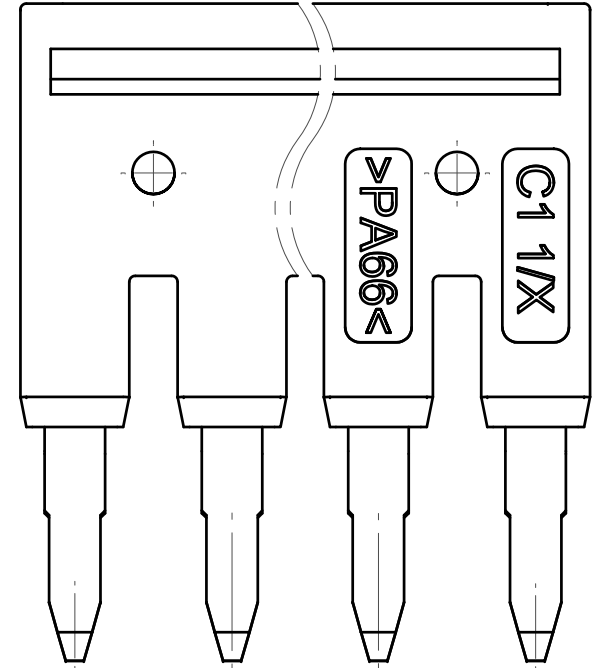
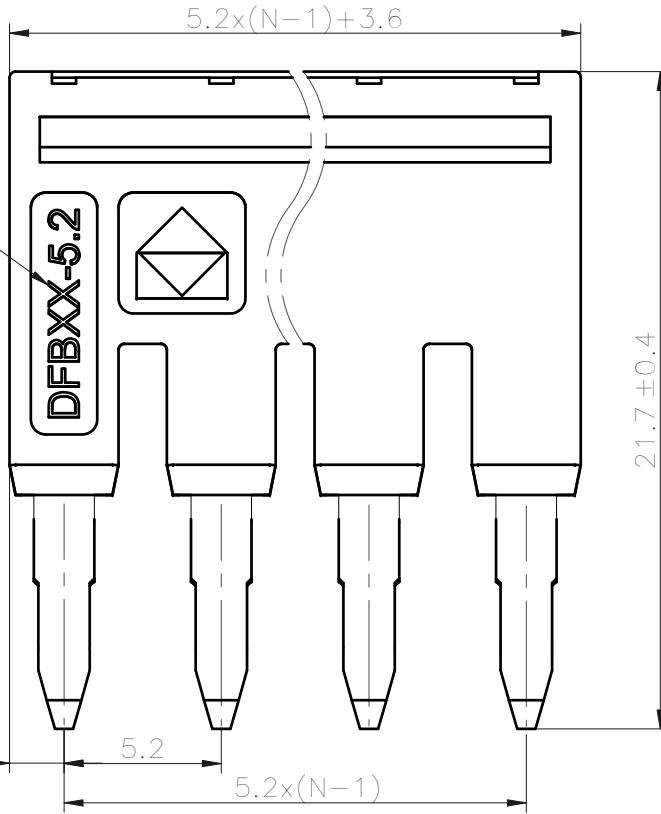




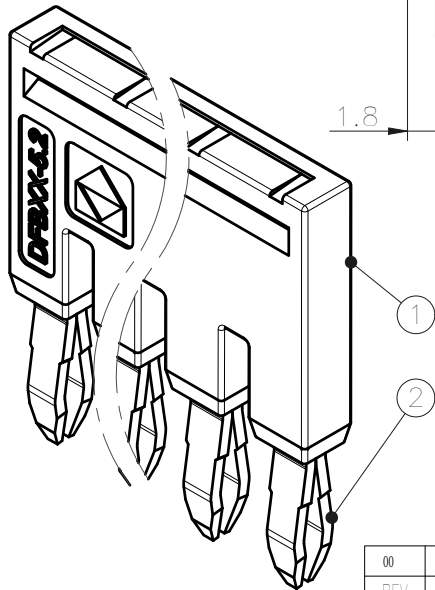
未注公差/General tolerances(mm)												0.1/10	
0	>3	>6	>10	>18	>30	>50	>80	>120	>180	>250	>315		>400
~3	~6	~10	~18	~30	~50	~80	~120	~180	~250	~315	~400	~500	>500
±0.12	±0.18	±0.22	±0.26	±0.31	±0.37	±0.57	±0.80	±0.93	±1.05	±1.15	±1.60	±2.20	±2.50



XX:2-10,20



Please refer to the 3D model, for those unmarked dimensions



2	Current	Copper	B_Sn_Plated
1	Housing	PA66	UL94V_0
ITEM	NAME OF PART	MATERIAL	NOTES

间距/Pitch(mm)/线数范围/Poles	5.2/N=2~10P,20P
使用温度范围/Operating temperature(°C)	-40~+105
符合RoHS环保要求/Conform to RoHS	Yes

APPD: 李根旁	2021.09.28
CHKD: 马恩开	2021.09.28
DRFT: 霍恩榕	2021.09.28

MATERIAL:	SURFACE:
MAT NO./REV: /	MAT STATUS: 批量
NAME	
DFBXX-5.2-16-00A (H)	

00	ECN	初版发行	霍恩榕	2021.09.28	DRFT: 霍恩榕	2021.09.28	DRAWING NO.	TYPE	DRAWING STATUS	SCALE	SHEET
REV	ECN	DESCRIPTION	DRFT	DATE	A4		200000754	CUSTOMER DRAWING	已发布	4:1	1/1

Transfer or duplication of this document as well as the utilization or communication of its contents are prohibited unless written authorization is granted. Degson will be liable for compensation. All rights reserved for patent, utility model or designs registrations. 非经书面明确授权, 否则禁止转让、复制、利用、交加本文件的内容。侵犯者将负赔偿责任。 本公司保留对涉及发明、实用新型和外观设计的所有权利。