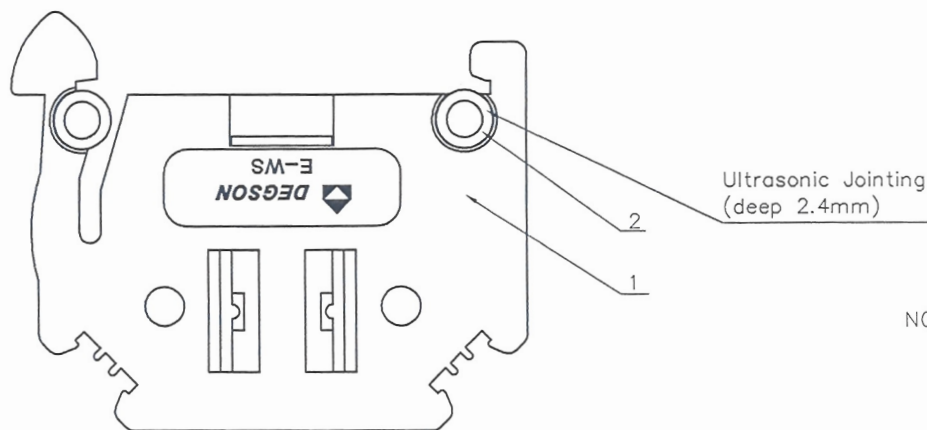




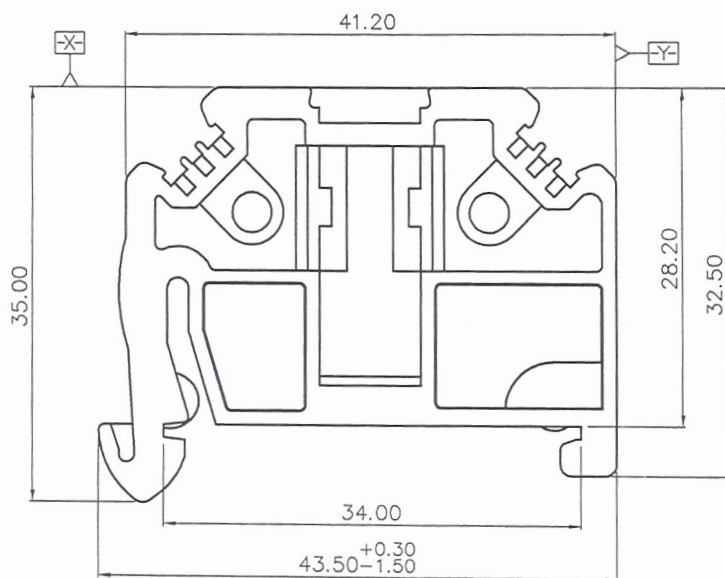
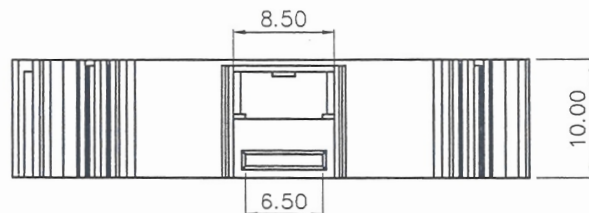
REVISION RECORD				
REV	ECN	DESCRIPTION	DRFT	DATE



Ultrasonic Jointing
(deep 2.4mm)

- NOTES:
- 1.Dimension shall be interpreted per ASME Y14.5-2009
 - 2.Operating temperature: -40°C~+105°C
 - 3.Used in Rail Din35
 - 4.E-WS is the fixed part for the product of WS series
 - 5.Undimensioned tolerances:

Pitch range in mm		Nominal dimension range in mm						0.1/10
TO	Over TO	Over TO	Over TO	Over TO	Over TO	Over TO		
6	10	24	30	60	100	150	<	
±0.15	±0.20	±0.30	±0.30	±0.50	±0.70	±1.00	±1.30	±2'



6.RoHS Compliance

E-WS - 01P - 1Y - 00A (H)

- (Series No.)
- (Poles)
- (Single Pitch)
- (Color): 1.(Grey), 2.(Blue), 3.(Black), 4.(Green), 5.(Orange), 6.(Red), 7.(Transparent), 8.(Yellow), 9.(White)
- (RoHS)
- 00A-(Standard)

奇复
06.7
(仅限内部使用, 禁止外发)

ITEM	NAME OF PART	MATERIAL	NOTES
2	E-WS-Stator	Stainless steel	
1	E-WS-Housing	PA66	UL94V-0

DETACHED LISTS	PART NO.: /	NINGBO DEGSON ELECTRICAL CO., LTD		
	APPD: Aaron 2017.06.08	NAME: E-WS-01P-1Y-00A(H)		
	CHKD: Penny 2017.6.8	TITLE: CUSTOMER DRAWING		
	DRFT: YYC 2017.06.06	REV TO		
THIRD ANGLE PROJECTION		DRAWING NO.: E-WS-C01	SHEET 1/1	
		MM (INCH)	DO NOT SCALE DRAWING	SCALE 1:1