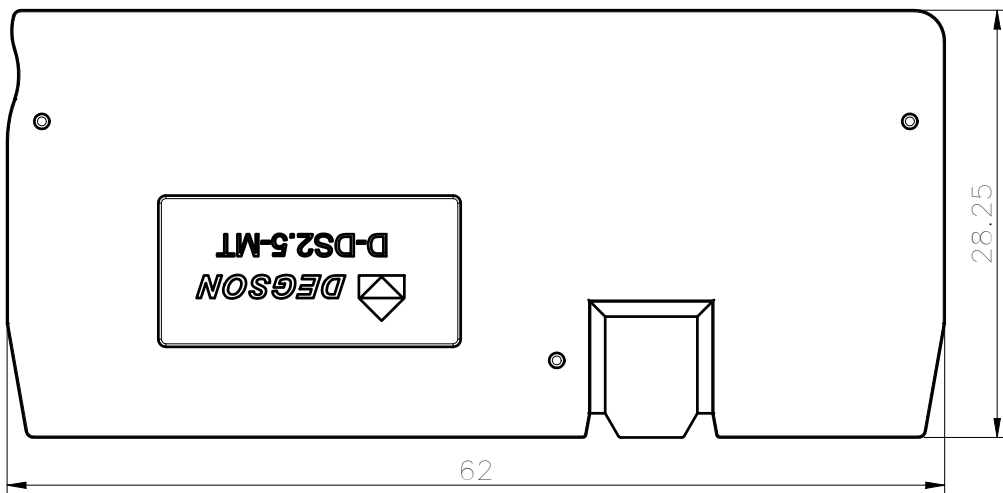
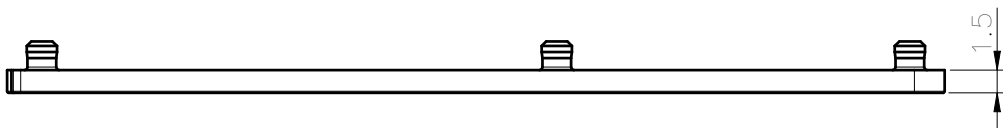
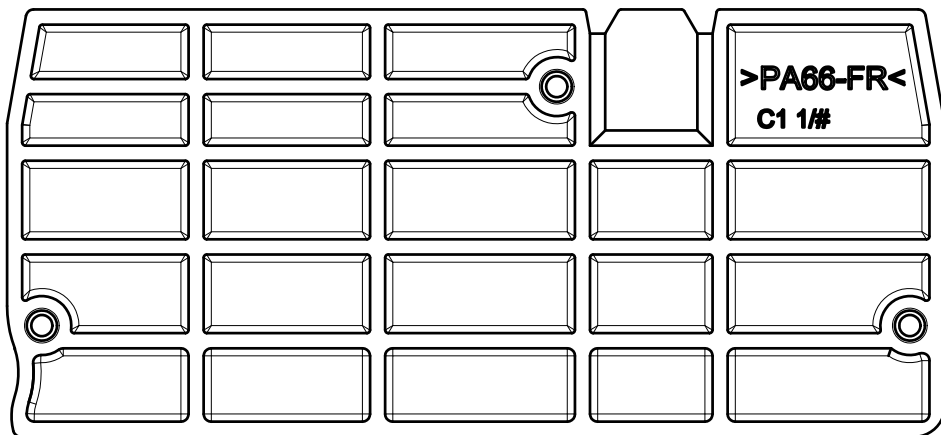


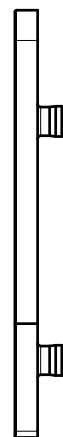
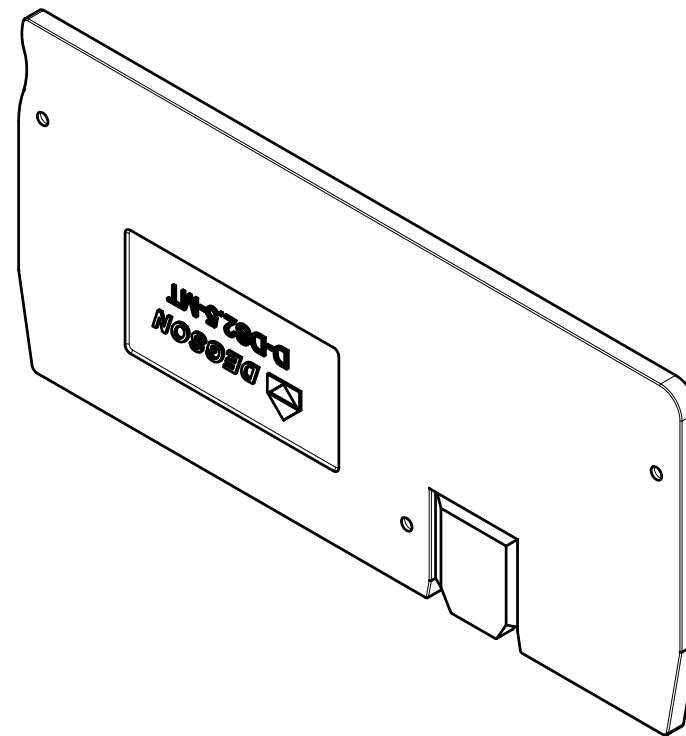
Transfer or duplication of this document as well as the utilization or communication of its contents are prohibited unless written authorization is granted. Degson will be liable for compensation. All rights reserved for patent, utility model or design registrations. 非经书面明确授权，否则禁止转让、复制、利用、交加本文件的内容。一经发现侵权，侵权者将承担法律责任。本公司保留对涉及发明、实用新型和外观设计的所有权利。



未注公差/General tolerances(mm)														
0	>3	>6	>10	>18	>30	>50	>80	>120	>180	>250	>315	>400	0.1/10	
~3	~6	~10	~18	~30	~50	~80	~120	~180	~250	~315	~400	~500		
±0.12	±0.18	±0.22	±0.26	±0.31	±0.37	±0.57	±0.80	±0.93	±1.05	±1.15	±1.60	±2.20	±2.50	±2'

使用温度范围/Operating temperature(°C)	-40~+105
符合 RoHS 环保要求/Conform to RoHS	Yes
阻燃等级/Flame class	UL94V-0

please refer to the 3D model,
for those unmarked dimensions



		MATERIAL:	SURFACE:	
APPD:		MAT NO./REV: 11040000202-1 / 00	MAT STATUS:	
CHKD:		NAME		
DRFT: 米帅 2021.09.18		D-DS2.5-MT-01P-11-00A(H)		
DRAWING NO.	TYPE	DRAWING STATUS	SCALE	SHEET
200014219	CUSTOMER DRAWING		2:1	1/1



00	ECN	首版发行	米帅	2021.09.18
REV	ECN	DESCRIPTION	DRFT	DATE