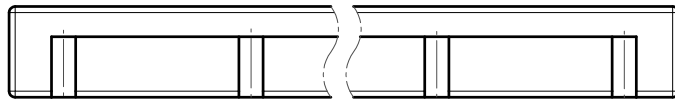


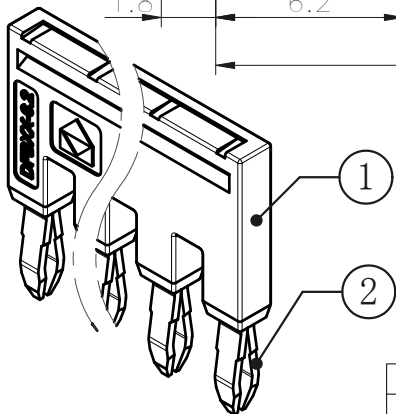
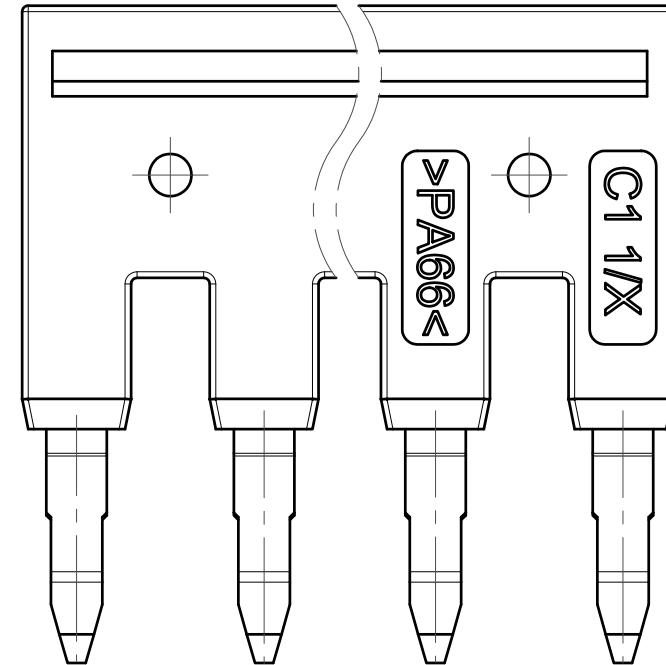
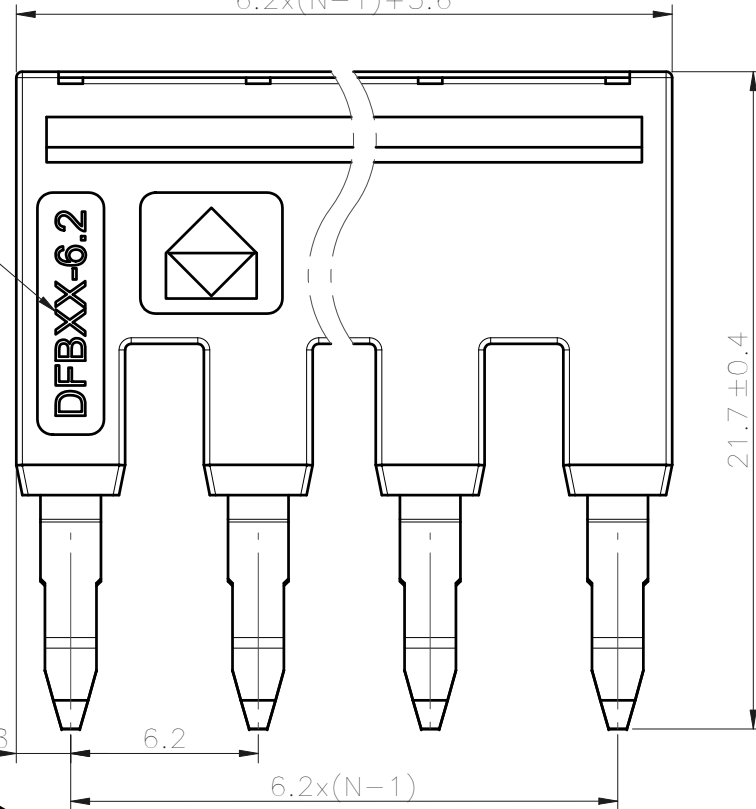


未注公差/General tolerances(mm)													0.1/10
0	>3	>6	>10	>18	>30	>50	>80	>120	>180	>250	>315	>400	
~3	~6	~10	~18	~30	~50	~80	~120	~180	~250	~315	~400	~500	>500
±0.12	±0.18	±0.22	±0.26	±0.31	±0.37	±0.57	±0.80	±0.93	±1.05	±1.15	±1.60	±2.20	±2.50



$6.2 \times (N-1) + 3.6$

XX:2-10



Please refer to the 3D model for those unmarked dimensions

2	Current	Copper	B_Sn_Plated
1	Housing	PA66	UL94V-0
ITEM	NAME OF PART	MATERIAL	NOTES

间距/Pitch(mm)/线数范围/Poles	6.2/N=2~10P
使用温度范围/Operating temperature(°C)	-40~+105
符合 RoHS 环保要求/Conform to RoHS	Yes

DEGSON		MATERIAL:	SURFACE:			
APPD: 李根旁	2021.09.29	MAT NO./REV:	/ MAT STATUS: 批量			
CHKD: 马恩开	2021.09.29	NAME				
DRFT: 霍恩榕	2021.09.29	DFBXX-6.2-16-00A(H)				
REV	ECN	DRAWING NO.	TYPE	DRAWING STATUS	SCALE	SHEET
00	ECN	200010102	CUSTOMER DRAWING	已发布	4:1	1/1

00	ECN	初版发行	霍恩榕	2021.09.29
REV	ECN	DESCRIPTION	DRFT	DATE

Transfer or duplication of this document as well as the utilization or communication of its contents are prohibited unless written authorization is granted by DEGSON. All rights reserved for patent, utility model or design registrations. 非经书面明确授权, 否则禁止转让、复制、利用、交加本文件的内容, 一经发现将追究法律责任。本公司保留对涉及发明、实用新型和外观设计的所有权利。