



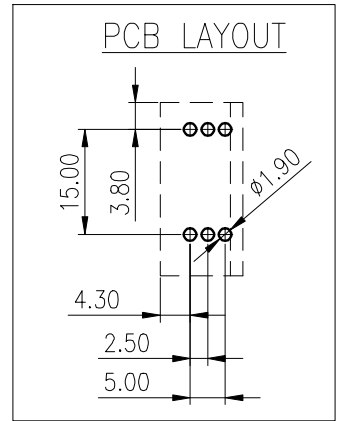
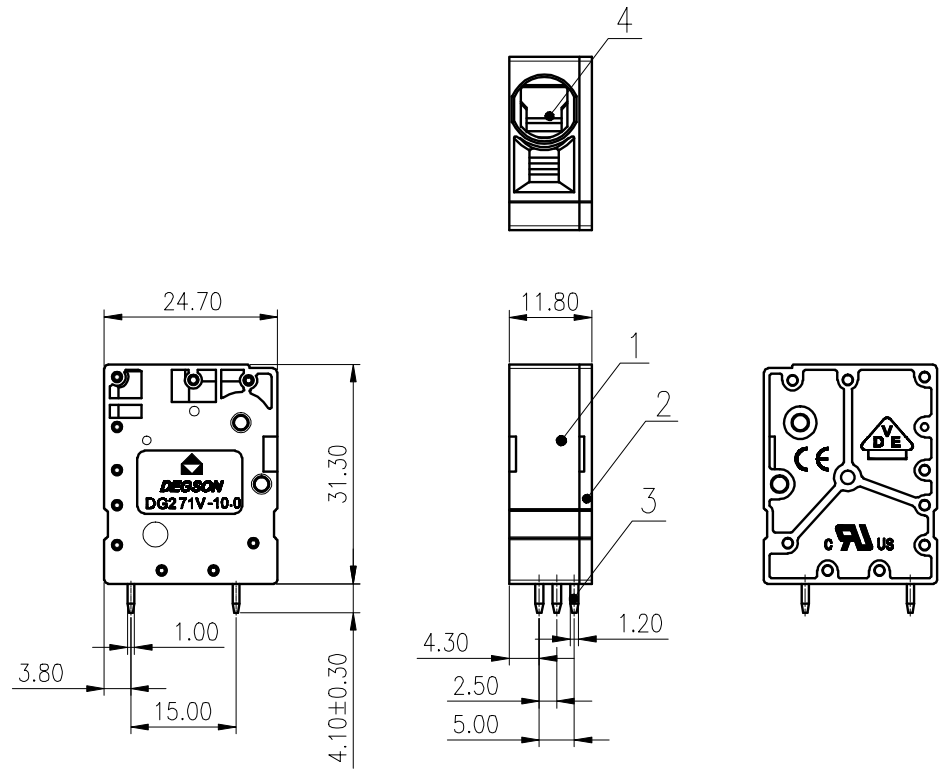
未注公差/General tolerances(mm)											0.1/10 ±2'		
0 ~ 3	>3 ~ 6	>6 ~ 10	>10 ~ 18	>18 ~ 30	>30 ~ 50	>50 ~ 80	>80 ~ 120	>120 ~ 180	>180 ~ 250	>250 ~ 315		>315 ~ 400	>400 ~ 500
±0.12	±0.18	±0.22	±0.26	±0.31	±0.37	±0.57	±0.80	±0.93	±1.05	±1.15	±1.60	±2.20	±2.50

A

B

C

D



ITEM	NAME OF PART	MATERIAL	NOTES
4	Spring	Stainless steel	/
3	Pin header	Copper	Sn Plated
2	Cover	PA66	UL94V-0
1	Housing	PA66	UL94V-0
ITEM NAME OF PART MATERIAL NOTES			
UL 标准/UL Standard:		B	C D
额定电压/电涌/Rated Voltage(V)/Current(A)		300/70	/ 300/10
IEC 标准/IEC Standard:			
过压类别/Overvoltage Category/污染等级/Pollution Degree		III/3	III/2 II/2
额定电压/电涌/Rated Voltage(V)/Current(A)		1000/76	1000/76 1000/76
额定脉冲电压(KV)/Rate Impulse Voltage(KV)		8	8 8
线径范围(硬线和软线)/Wire Range(rigid and flexible)(mm ² /AWG)		0.2~16/20~4	
间距/Pitch(mm)/线数范围/Poles		10.0/01P	
剥线长度/Stripping length(mm)		17~18	
使用温度范围/Operating temperature(°C)		-40~+105	
符合RoHS环保要求/Conform to RoHS		Yes	

MATERIAL: /	SURFACE: /		
MAT NO.: /	宁波高松电子有限公司 NINGBO DEGSON ELECTRICAL CO., LTD		
STATUS: /			
APPD: Li GL 2020.05.15	NAME: DG271V-10.0-01P-1Y-100A(H)		
CHKD: MaEK 2020.05.15	DRAWING NO.: DG271V-10.0-C04		
DRFT: HS 2017.01.09	REV	T1	
④	SIZE: A4	TYPE: CUSTOMER DRAWING	SCALE: 1:1 SHEET 1/1

REV	ECN	DESCRIPTION	DRFT	DATE