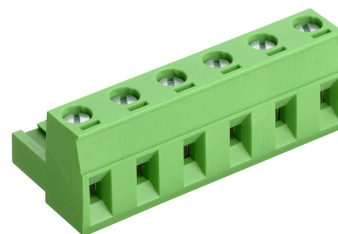


AKZ960/..-7.62-GREEN



Technical Data

Wire Sizes		Insulating Material	
Solid min	0.2 mm ²	Material	PA 6.6
Solid max	4.0 mm ²	Flammability Class	UL 94 V-0
Stranded (flexible) min	0.2 mm ²	Temperatures	
Stranded (flexible) max	2.5 mm ²	Operating Temperature	-30 °C - 105 °C
Stranded with Ferrule min	0.25 mm ²	Wave Soldering Process	
Stranded with Ferrule max	2.5 mm ²	Soldering Temperature, recommended	-
Dimensions		Peak Soldering Time, recommended	-
Stripped Length	6.0 mm	Reflow Process	
Materials		Soldering Temperature, recommended	-
Clamp	Brass	Peak Soldering Time, recommended	-
Screw	Steel		
Contact Spring	Bronze		

Colours

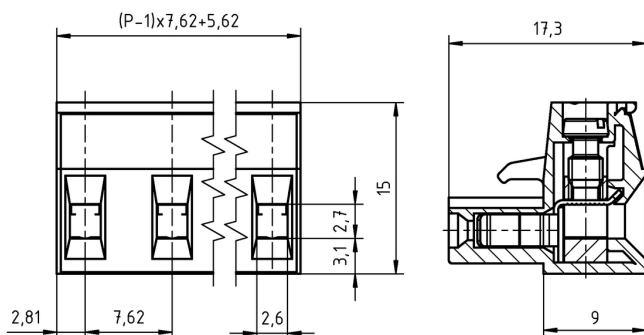
	GREEN, RAL6018
	LIGHT GREY, RAL7035
	LIGHT GREEN, similar RAL 6018

Colours according to RAL, there may be variations on colour due to production conditions. Special colours on request.

Counterparts (Spacing 7.62 mm)

Pin Strip/Terminal Blocks
STLZ960

If there are combinations with different ratings, the lower value is valid.



Order Data (Spacing 7.62 mm)

Poles	Width (mm)	Article Designation	Article Number	PU
2	13.24	AKZ960/2-7.62-GREEN	50960020021E	100
3	20.86	AKZ960/3-7.62-GREEN	50960030021E	100
4	28.48	AKZ960/4-7.62-GREEN	50960040021E	100
5	36.10	AKZ960/5-7.62-GREEN	50960050021E	100
6	43.72	AKZ960/6-7.62-GREEN	50960060021D	50
7	51.34	AKZ960/7-7.62-GREEN	50960070021D	50
8	58.96	AKZ960/8-7.62-GREEN	50960080021D	50
9	66.58	AKZ960/9-7.62-GREEN	50960090021D	50
10	74.20	AKZ960/10-7.62-GREEN	50960100021D	50
11	81.82	AKZ960/11-7.62-GREEN	50960110021D	50
12	89.44	AKZ960/12-7.62-GREEN	50960120021D	50
13	97.06	AKZ960/13-7.62-GREEN	50960130021D	50
14	104.68	AKZ960/14-7.62-GREEN	50960140021D	50
15	112.30	AKZ960/15-7.62-GREEN	50960150021D	50
16	119.92	AKZ960/16-7.62-GREEN	50960160021D	50

Accessories

Figure	Designation	Article Number
	Bridge, 2-pole, insulated, BRI/2-7.5/7.62-L8.2-LIGHT GREY	50000000017
	Coding star CS1-5.0/5.08-RED	50000000021
	Series AKZ960 with dividing element	on request
	Series AKZ960 with pull reliefs	on request

Ratings



Usegroup	B	C	D		
Rated Voltage	300 V	150 V	300 V	400 V	
Rated Current	15 A	15 A	10 A	12 A	
Overvoltage Category				III	
Rated Wire Size				min	max
	solid	AWG 22-12	AWG 22-12	AWG 22-12	0.5 mm ² (5 A) 2.5 mm ² (12 A)
	stranded	AWG 22-12	AWG 22-12	AWG 22-12	0.5 mm ² (5 A) 2.5 mm ² (12 A)
Torque	0.80 Nm		0.80 Nm	0.80 Nm	
Screw Size	M3		M3	M3	
Test Voltage	1.6 kV		1.6 kV	1.6 kV	
Pollution Degree				3	