

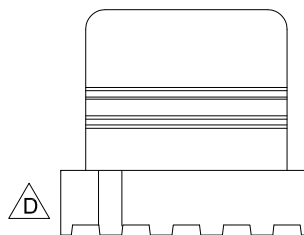
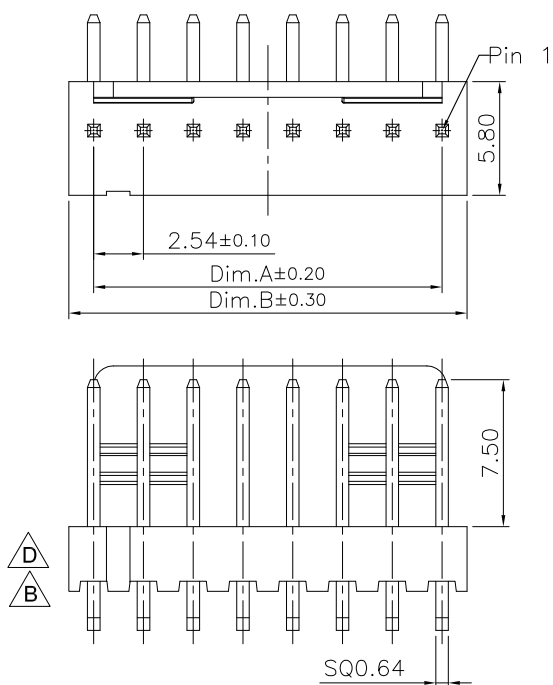
1

2

3

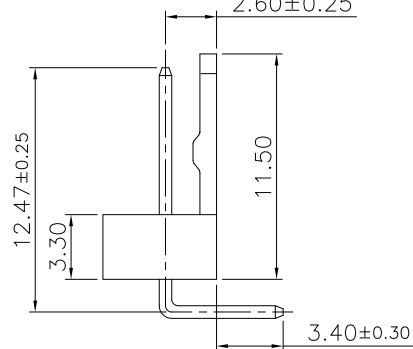
4

5



B 02~05 Pin

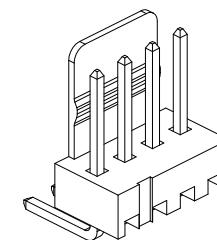
2.60±0.25



Specifications:

Current Rating:3.0A AC/DC
Voltage Rating:250V AC/DC
Contact Resistance:20m Ohm Max
Insulation Resistance:1000M Ohm Min.
Withstanding Voltage:1000V AC/Minute
Operating Temperature Range:-40°C~+105°C

D



Material and Finish:

Insulator:Nylon 66 (UL94V-0)
Insulator Color:White
Contact:Brass
Plating:Tin Plated

How To Order

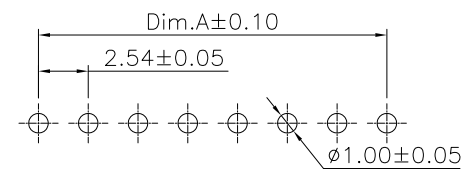
2217R-XX-WH2

— WH2:White
— No. of Contacts
— R:Right Angle Type

Dimension:

Circuits	Dimension:		Circuits	Dimension:	
	A	B		A	B
02	2.54	5.08	12	27.94	30.48
03	5.08	7.62	13	30.48	33.02
04	7.62	10.16	14	33.02	35.56
05	10.16	12.70	15	35.56	38.10
06	12.70	15.24	16	38.10	40.64
07	15.24	17.78	17	40.64	43.18
08	17.78	20.32	18	43.18	45.72
09	20.32	22.86	19	45.72	48.26
10	22.86	25.40	20	48.26	50.80
11	25.40	27.94			

C



P.C.B. Layout

active

RoHS Compliant

REV	DATE	FILE	BY
F			
E			
D	08-Apr-2020	modify insulator	Romina Wu
C	21-Aug-2017	add 16~20P issue	Jamie Wang
B	04-Oct-2016	ECN-TW161004001	Jamie Wang
A	21-Jun-2016		Jamie Wang

DRAWN:

Jamie Wang

CHECKED:

Jerry Chen

APPROVAL:

Mike Wu

GENERAL TOLERANCE:

.X=±0.20
.XX=±0.15

UNIT: MM

SCALE: 1:1

SHEET: 1/1

PROJECTION:

**Neltron Industrial Co., Ltd.**

DESCRIPTION:

2.54mm Wire To Board Wafer R/A Type

PART NO:

2217R-XX-WH2

SIZE

A4