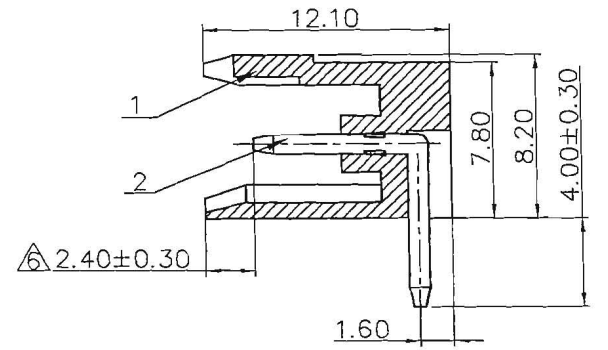
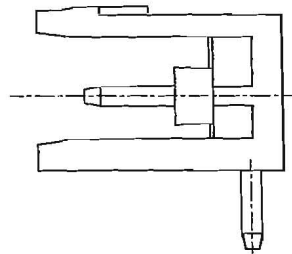
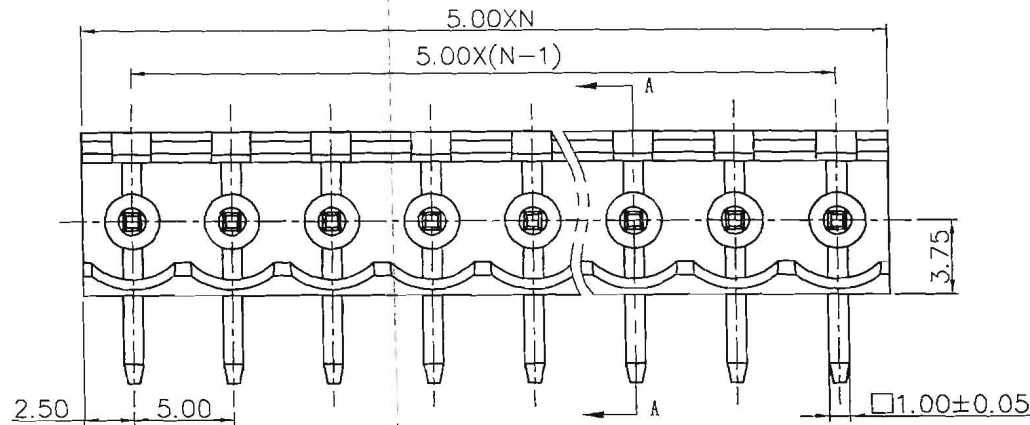


D1RFRD006

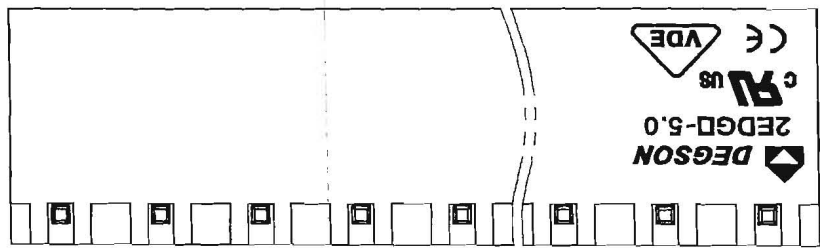
REVISION RECORD				
REV	ECN	DESCRIPTION	DRFT	DATE
△6	10-0329	A DIMENSION AMENDED	COCO	09/30/10*
△13	0255	IMPULSE VOLTAGE CHANGING;	LB	11/06/13*



SEC A-A

- NOTES:
- 1.DIMENSION SHALL BE INTERPRETED PER ASME Y14.5-2009.
 - 2.PITCH: 5.00MM ,POLES: N=2-24P
 - 3.RATED VOLTAGE/CURRENT: UL 300V/15A
VDE 320V/20A
 - 4.OPERATION TEMPERATURE: -40℃~+105℃
 - △ 5.RATED IMPULSE VOLTAGE: AC2.5KV
 - 6.INSULATION RESISTANCE: 5000MΩ/DC1000V
 - 7.UNDIMENSIONED TOLERANCES:

PITCH RANGE IN MM		NOMINAL DIMENSION RANGE IN MM					-
TO 6	OVER 6 TO 10	TO 24	OVER 30 TO 60	OVER 60 TO 100	OVER 100 TO 150	OVER 150	□
±0.10	±0.15	±0.25	±0.20	±0.30	±0.50	±0.70	±1.00, 0.05/10



2	2EDGR-Pin header; automatic assembly 02-14P	1008B00120(H)	XX	Brass	Sn
	2EDGR(A)-Pin header ;manul assembly	1008B00040(H)	XX	Brass	Sn
1	2EDGR-5.0 Housing	1018A0YXXA(H)	1	PA66	UL94V-0

ITEM	NAME OF PART	NO. OF PART	Q'TY	MATERIAL	NOTES																																
<table border="1"> <tr> <td colspan="2">MM (INCH)</td> <td colspan="2">MATERIAL:</td> </tr> <tr> <td colspan="2">TOLERANCES EXCEPT AS NOTED</td> <td colspan="2">FINISH:</td> </tr> <tr> <td>.X ±</td> <td>.X' ±</td> <td colspan="2">PART NO.:</td> </tr> <tr> <td>.XX ±</td> <td>.XX' ±</td> <td colspan="2">NAME:</td> </tr> <tr> <td>.XXX ±</td> <td>.XXX' ±</td> <td colspan="2">2EDGR-5.0-XXP-1Y-00A(H)</td> </tr> <tr> <td colspan="2">ANGLES ± 1°</td> <td>APPD: Jean 1/10-14</td> <td>TITLE:</td> </tr> <tr> <td colspan="2">THIRD ANGLE PROJECTION</td> <td>CHKD: Aron 1/4-14</td> <td>DRAWING NO.: 2EDGR-5.0-E03</td> </tr> <tr> <td colspan="2"></td> <td>DRFT: CSX03/05/'05</td> <td>DO NOT SCALE DRAWING</td> </tr> </table>		MM (INCH)		MATERIAL:		TOLERANCES EXCEPT AS NOTED		FINISH:		.X ±	.X' ±	PART NO.:		.XX ±	.XX' ±	NAME:		.XXX ±	.XXX' ±	2EDGR-5.0-XXP-1Y-00A(H)		ANGLES ± 1°		APPD: Jean 1/10-14	TITLE:	THIRD ANGLE PROJECTION		CHKD: Aron 1/4-14	DRAWING NO.: 2EDGR-5.0-E03			DRFT: CSX03/05/'05	DO NOT SCALE DRAWING	1008B00120(H)	XX	Brass	Sn
MM (INCH)		MATERIAL:																																			
TOLERANCES EXCEPT AS NOTED		FINISH:																																			
.X ±	.X' ±	PART NO.:																																			
.XX ±	.XX' ±	NAME:																																			
.XXX ±	.XXX' ±	2EDGR-5.0-XXP-1Y-00A(H)																																			
ANGLES ± 1°		APPD: Jean 1/10-14	TITLE:																																		
THIRD ANGLE PROJECTION		CHKD: Aron 1/4-14	DRAWING NO.: 2EDGR-5.0-E03																																		
		DRFT: CSX03/05/'05	DO NOT SCALE DRAWING																																		
		1008B00040(H)	XX	Brass	Sn																																
		1018A0YXXA(H)	1	PA66	UL94V-0																																



REV	T7
SCALE	1:1
SHEET	1/1