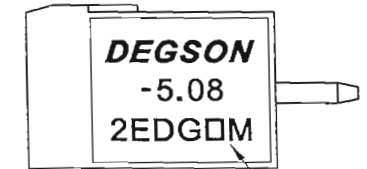
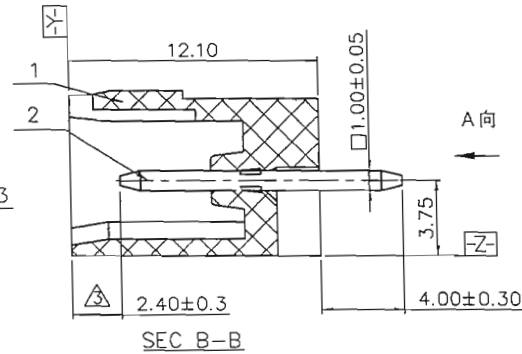
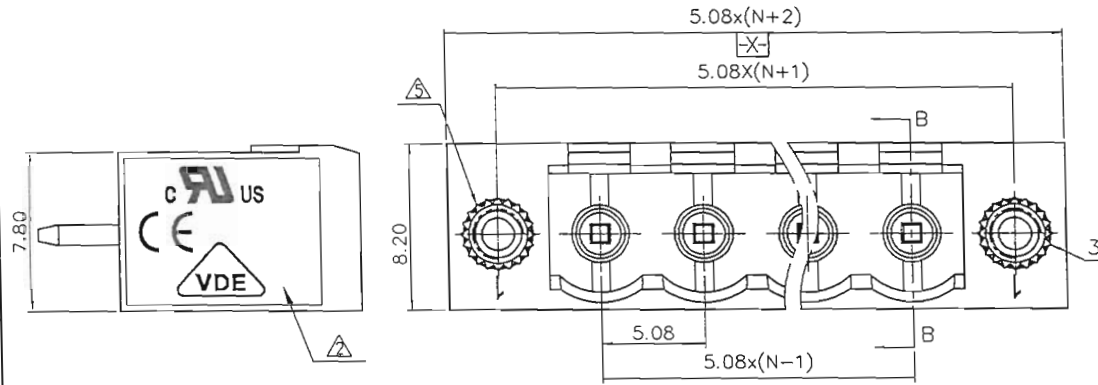


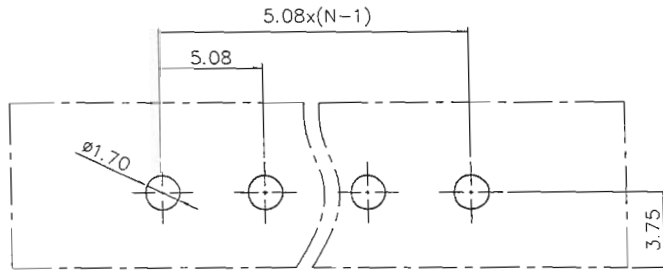
VIEW-A



NOTES:

- 1.DIMENSION SHALL BE INTERPRETED PER ASME Y14.5-2009.
2. PITCH: 5.08MM ,POLES: 2-22P
- 3.RATED VOLTAGE/CURRENT: UL 300V/15A
VDE 320V/20A
- 4.OPERATION TEMPERATURES: -40°C~+105°C
- 5.RATED IMPULSE VOLTAGE: 4.0KV
- 6.INSULATION RESISTANCE: 5000MΩ/DC1000V
- 7.UNDIMENSIONED TOLERANCES:

Pitch range in mm		Nominal dimension range in mm						
to	over	to	over	to	over			
6	10	10	30	30	60	100	150	∩
±0.10	±0.15	±0.25	±0.2	±0.3	±0.5	±0.7	±1.0	□



P.C.B LAYOUT

ITEM	NAME OF PART	NO. OF PART	Q'TY	MATERIAL	NOTES
3	2EDG--Screw cap	S000001040(H)	2	BRASS	
2	2EDGV--Pin header	1007B00330(H)	XX	COPPER	Sn Plated
1	2EDGVM-5.08--Housing	1012A0YXXC(H)	1	PA66	UL94V-0

DETACHED LISTS TOLERANCES EXCEPT AS NOTED .X ± .X* ± .XX ± .XX* ± .XXX ± .XXX* ± ANGLES ± 1° THIRD ANGLE PROJECTION		MATERIAL: FINISH: PART NO.: APPD: <i>Daron</i> CHKD: <i>Xm</i> DRFT: WF 11/21/05		宁波高正电子有限公司 DEGSON DEGSON ELECTRONICS CO., LTD NAME: 2EDGVM-5.08+XXP-1Y-00A(H) TITLE: ASSEMBLY DRAWING DRAWING NO.: 2EDGVM-5.08-E03 DO NOT SCALE DRAWING		REV T6 SHEET 1/1
---	--	---	--	--	--	---------------------

REVISION RECORD				
REV	ECN	DESCRIPTION	DRFT	DATE
△		Drawing emend	WF	04/04/06
△		增加VDE, CE刻字	Zengy	07/29/08
△	10-0329	增加标注尺寸	COCO	10/07/10
△	11-0035	改善螺帽掉落, 改用变更后零件与螺帽	HD	03/08/11
△	11-0255	修改螺帽孔结构	ZMT	10/17/11
△	14-0107	黄铜变紫铜, 料号变更; 工频耐压变更为额定冲击电压	HHJ	12/15/14