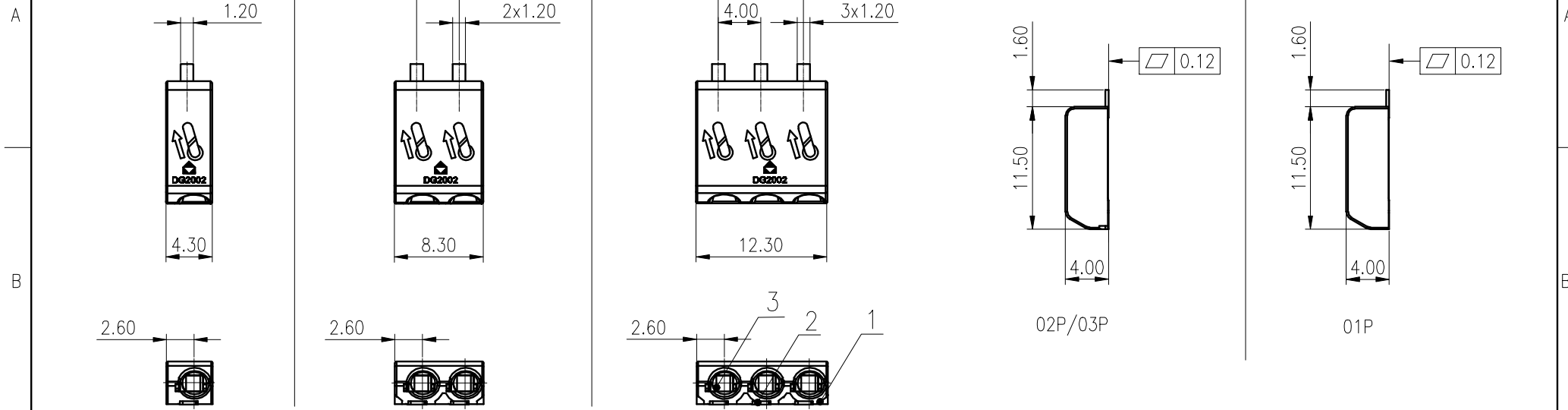




未注公差/General tolerances(mm)											0.1/10 ±2'		
0	>3	>6	>10	>18	>30	>50	>80	>120	>180	>250		>315	>400
~3	~6	~10	~18	~30	~50	~80	~120	~180	~250	~315	~400	~500	~500
±0.12	±0.18	±0.22	±0.26	±0.31	±0.37	±0.57	±0.80	±0.93	±1.05	±1.15	±1.60	±2.20	±2.50



3	Spring	Stainless steel	/
2	Pin header	Copper alloy	Sn Plated
1	Housing	LCP	UL94V-0
ITEM	NAME OF PART	MATERIAL	NOTES
UL 标准/UL Standard:		B	C
额定电压/电流/Rated Voltage(V)/Current(A) (01P)		600/9	/
额定电压/电流/Rated Voltage(V)/Current(A) (02P/03P)		300/9	/
IEC 标准/IEC Standard:			
过压类别/Overvoltage Category/污染等级/Pollution Degree		III/3	III/2
额定电压/电流/Rated Voltage(V)/Current(A)		32/9	160/9
额定脉冲电压(KV)/Rate Impulse Voltage(KV)		4	4
线径范围(硬线和软线)/Wire Range(rigid and flexible)(mm ² /AWG)		0.2~0.75/24~18	
间距/Pitch(mm)/线数范围/Poles		4.0/N=01~03P	
剥线长度/Stripping length(mm)		9	
使用温度范围/Operating temperature(°C)		-40~+130	
符合RoHS环保要求/Conform to RoHS		Yes	

Hot melt

01P 02P/03P

PCB LAYOUT

MATERIAL: / SURFACE: /

MAT NO.: /

STATUS: /

APPD: Li GL 2020.05.15

CHKD: MaEK 2020.05.15

DRFT: WL 2016.05.14

NAME: **DEGSON® NINGBO DEGSON ELECTRICAL CO., LTD**

DG2002-4.0-XXP-1Y-100A(H)

DRAWING NO.: DG2002-4.0-C06 REV T2

TYPE: CUSTOMER DRAWING SCALE: 2:1 SHEET 1/2

REV	ECN	DESCRIPTION	DRFT	DATE