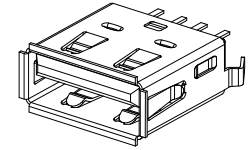


Specifications:

- △ Current Rating: 1.5A AC/DC
- △ Voltage Rating: 30V AC/DC
- △ Contact Resistance: 30m ohm. Max.
- △ Insulation Resistance: 1000M ohm. min.
- △ Withstanding Voltage: 500V AC/Minute
- △△ Operating Temperature Range: -55°C ~ +85°C



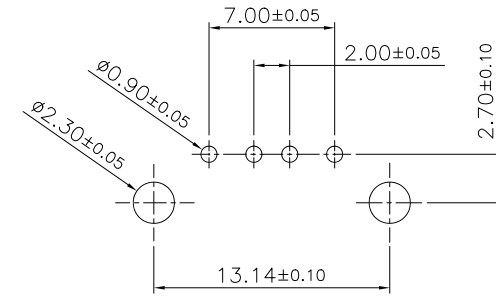
Material And Finish

- Insulator: PBT (UL94V-0)
- Contact: Phosphor Bronze
- Plating: Gold Plated on Contact Area,
Tin Plated on Solder Tail.
- Shell: Brass, Nickel Plated

How To Order

5075AS-04-XX-XX

- Blank Gold Plated on Contact Area
- 15: Selective Gold Plated 15u"
- 30: Selective Gold Plated 30u"
- WH: White (Standard)
- BK: Black
- No. of Contacts
- A Type Straight Socket



P.C.B Layout

RoHS Compliant

F				DRAWN:	GENERAL TOLERANCE:	Neltron Industrial Co., Ltd.	DESCRIPTION:	SIZE
E	20-SEP-2024	△	Brian Hsu	Jack Huang	.X=±0.20 .XX=±0.10			
D	20-MAR-2024	Modify Tolerance	Lucy Du	CHECKED:	UNIT: MM	USB A Type PCB Socket Straight Type	A4	
C	04-MAY-2023	ECO-TW230001	Lucy Du	Jerry Chen	SCALE: 1:1			
B	15-SEP-2021	Change Tray icon	Lisy Liu	APPROVAL:	SHEET: 1/2	PART NO:	5075AS-04-XX-XX	
A	15-NOV-2018		Jack Huang	Mike Wu	PROJECTION:			
REV	DATE	FILE	BY					

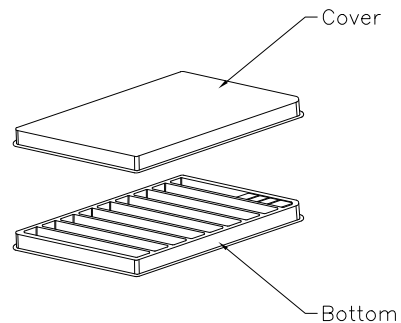
1

2

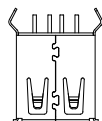
3

4

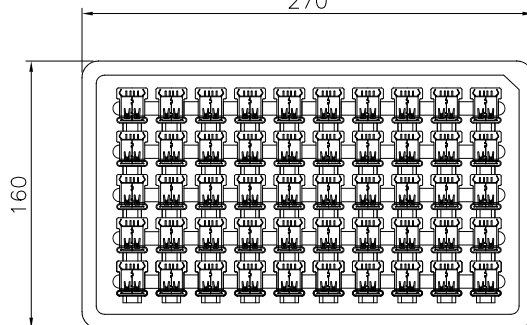
5



A B C



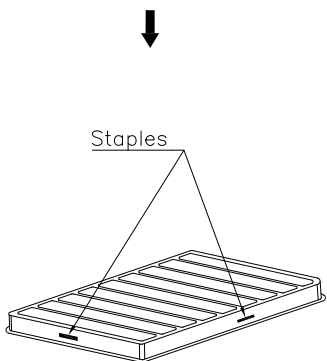
270



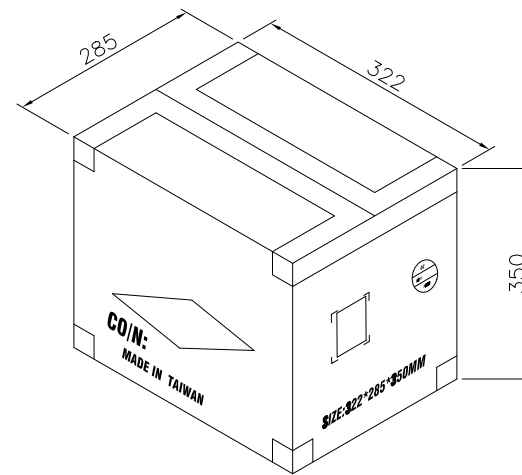
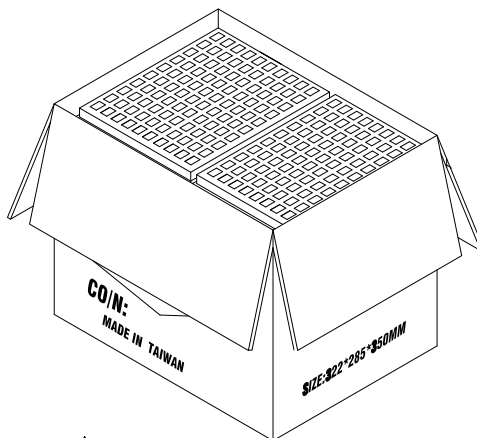
Note:

1.Dimension:
Carton Size:322X285X350 (mm)

2.Quantity:
50 Pcs/Tray
70 Trays/ Carton
Q'TY: 3500pcs



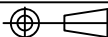


50 Pcs/Tray



Carton

RoHS Compliant

F				DRAWN:	GENERAL TOLERANCE:	 Neltron Industrial Co., Ltd.	DESCRIPTION: USB A Type PCB Socket Straight Type Packing List	SIZE A4
E	20-SEP-2024		Brian Hsu	Jack Huang	.X=±0.20 .XX=±0.10			
D	20-MAR-2024	Modify Tolerance	Lucy Du	CHECKED:	UNIT: MM	PART NO: 5075AS-04-XX-XX		
C	04-MAY-2023	ECO-TW230001	Lucy Du	Jerry Chen	SCALE:			
B	15-SEP-2021	Change Tray icon	Lisy Liu	APPROVAL:	SHEET: 2/2			
A	15-NOV-2018		Jack Huang	Mike Wu	PROJECTION:			
REV	DATE	FILE	BY					