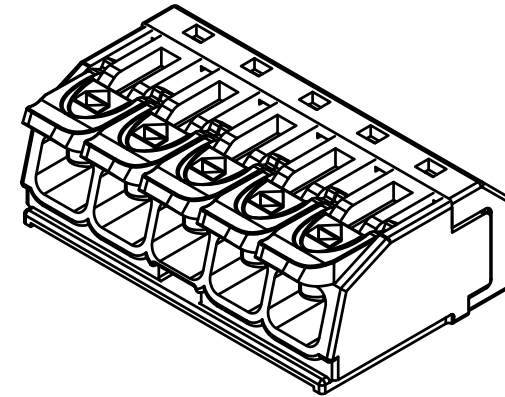


未注公差/General tolerances(mm)														
0	>3	>6	>10	>18	>30	>50	>80	>120	>180	>250	>315	>400	>500	0.1/10
~3	~6	~10	~18	~30	~50	~80	~120	~180	~250	~315	~400	~500	±2'	
±0.12	±0.18	±0.22	±0.26	±0.31	±0.37	±0.57	±0.80	±0.93	±1.05	±1.15	±1.60	±2.20	±2.50	

please refer to the 3D model, for those unmarked dimensions



5	Current carrier	Copper	Sn Plated
4	Spring	Stainless steel	/
3	Button	PA66+GF	UL94V-0
2	Cover	PC	UL94V-2
1	Housing	PC	UL94V-2
ITEM	NAME OF PART	MATERIAL	NOTES

UL 标准/UL Standard:			
额定电压/Rated Voltage (V)		600	
IEC 标准/IEC Standard:			
过压类别/Overvoltage Category/污染等级/Pollution Degree		III/3	III/2 II/2
额定电压/电流/Rated Voltage(V)/Current(A)		/	450/32 /
工频耐压/Withstanding voltage(V/1Min)		AC2500	
线径范围(硬线和软线)/Wire Range(rigid and flexible)(AWG/mm ²)		24~12/0.2~4.0	
间距/Pitch(mm)/线数范围/Poles		5.6/05P	
剥线长度/Stripping length(mm)		12	
使用温度范围/Operating temperature(°C)		-40~+85 (IEC)	
符合RoHS环保要求/Conform to RoHS		Yes	

MATERIAL: /		SURFACE: /	
MAT NO.:		宁波高松电子有限公司 NINGBO DEGSON ELECTRICAL CO., LTD	
STATUS: /			
APPD: Li GL 2021.01.14		NAME: DG221-5.6-05P (1Y-00AH)	
CHKD: MaEK 2021.01.14			
DRFT: WangW 2021.01.14		DRAWING NO.: DG221-5.6-05P-C01	
		REV	TO
SIZE: A4		SCALE: 2:1	SHEET 1/1

REV	ECN	DESCRIPTION	DRFT	DATE