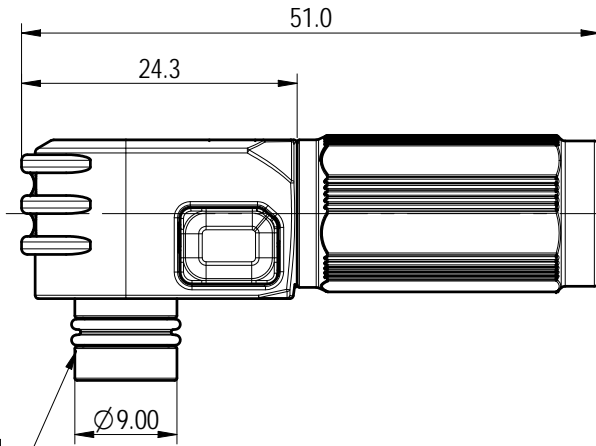
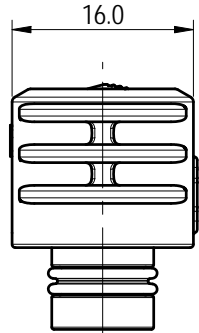
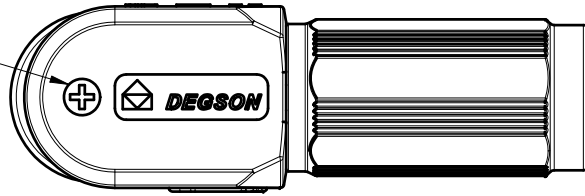
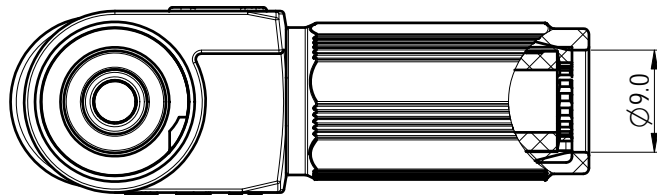




正极尺寸“+”
负极尺寸“-”



正极尺寸: Ø9.0mm
负极尺寸: Ø10.0mm

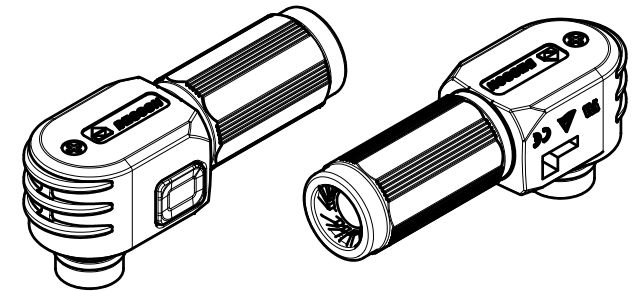


ESP-70A-10-XX-00

Color: BK:Black 负极
OR:Orange 正极
RD:Red 正极

| 尺寸公差(mm) | | | | | 0.05/10 ±1' |
|----------|-------|-------|-------|-------|----------------|
| 0 | >30 | >60 | >100 | >150 | |
| ~30 | ~60 | ~100 | ~150 | | |
| ±0.20 | ±0.30 | ±0.50 | ±0.70 | ±1.00 | |

| 技术要求/Technical requirements: | |
|---|--------------------------------------|
| 颜色/Color | Black, Orange, Red |
| 锁紧方式/Locking method | 卡扣(Buckle) |
| 接线方式/Terminal | Crimp |
| 外壳材料/Housing material | PA+GF |
| 接触件材料/Connector material | 铜合金(Copper alloy) |
| 插入力/Insertion force | 65N Max |
| 拔出力/Withdrawal force | >10N |
| 插拔次数/Mechanical working life(mating cycles) | 100 |
| 接线规格/Wiring specifications | 8AWG or 10mm ² |
| 线径OD(Wire diameter) | 6.5 7.5mm |
| 建议剥线长度/Suggested stripping length | 8~9mm |
| 额定电压/Rated voltage | 1000V DC |
| 额定电流/Rated current | 70A |
| 绝缘电阻/Insulate resistance | ≥5000MΩ (drying) |
| 耐电压/Withstanding voltage | 4250V/min |
| 接触电阻/Contact resistance | ≤0.5mΩ |
| 过电压等级/Overvoltage category | III |
| 污染等级/Pollution degree | 3 |
| 防护等级/Ingress protection | IP67 (Mated) |
| 使用温度范围/Operating temperature(° C) | -40~+125(including temperature rise) |
| 盐雾/Salt spray | 48H |
| 储存温度/Storage temperature(° C) | -40~+85 |
| 阻燃等级/Flame retardant ability | UL94-V0 |
| 符合RoHS环保要求/Conform to RoHS | Yes |
| UL4128认证/UL4128 certification | E530802 |
| TUV认证/TUV certification | 50581738 |
| 满足户外使用/Satisfy outdoor use | Yes |



| | | | | | |
|-----------|------------|------------------|------------------|----------------|-----------|
| | | MATERIAL: | SURFACE/COLOR: | | |
| | | MAT NO./REV: | MAT STATUS: | | |
| APPD: 刘剑 | 2024.01.24 | NAME | | | |
| CHKD: 于进海 | 2024.01.21 | ESP-70A-10-XX-00 | | | |
| DRFT: 张晓瑶 | 2024.01.17 | DRAWING NO. | TYPE | DRAWING STATUS | SCALE |
| | | 200268663 | CUSTOMER DRAWING | | 1.5:1 |
| | | | | | SHEET 1/1 |

| REV | ECN | DESCRIPTION | DRFT | DATE |
|-----|-----|-------------|------|------|
| 01 | | | | |

Transfer or duplication of this document as well as the utilization or communication of its contents are prohibited unless expressly permitted. All rights reserved for patent. activity modification or design registrations. 除专利等明确标注外，其他内容均保留权利。未经许可，不得复制或传播。 未经授权，不得复制或传播。