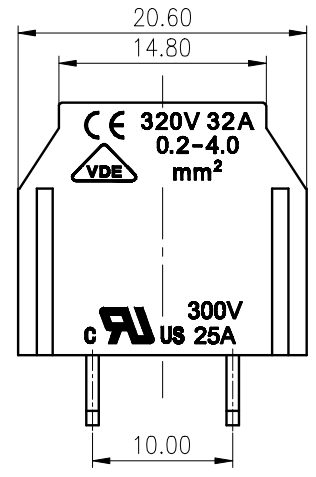
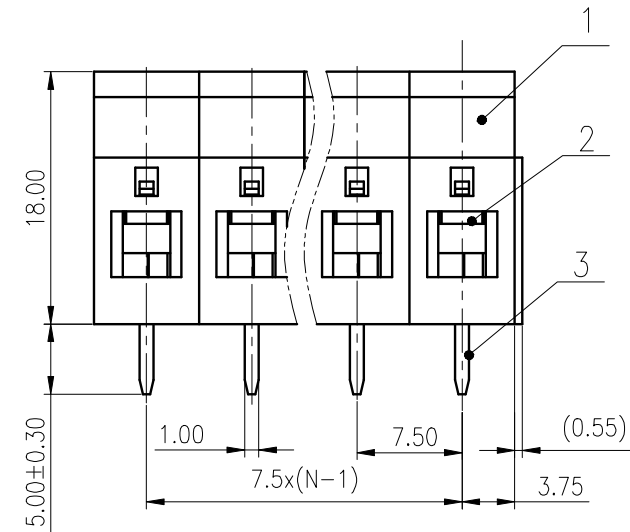
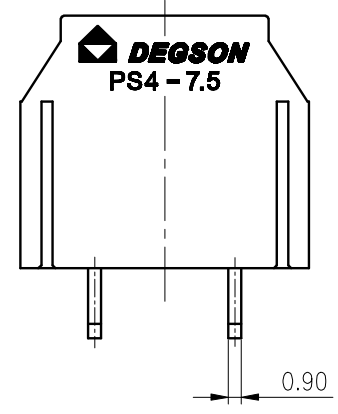
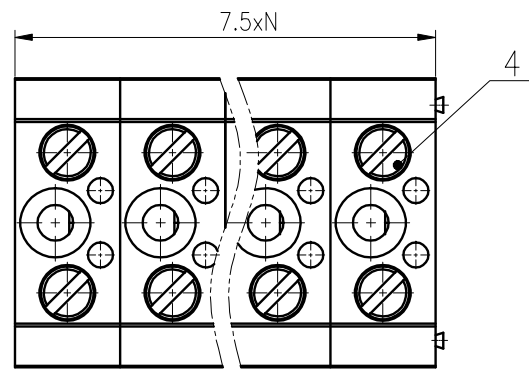
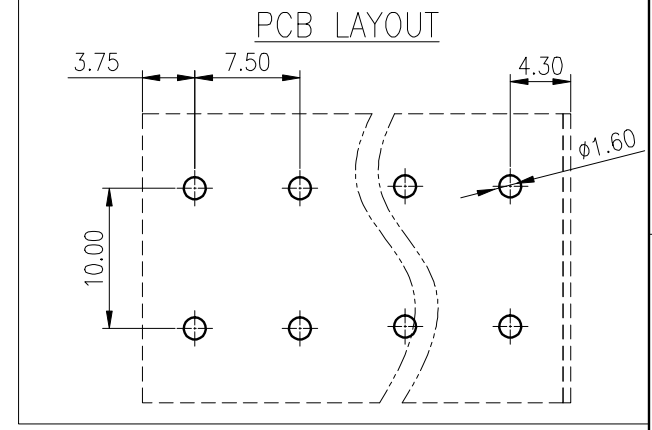




未注公差/General tolerances(mm)											0.1/10 ±2'		
0 ~ 3	>3 ~ 6	>6 ~ 10	>10 ~ 18	>18 ~ 30	>30 ~ 50	>50 ~ 80	>80 ~ 120	>120 ~ 180	>180 ~ 250	>250 ~ 315		>315 ~ 400	>400 ~ 500
±0.12	±0.18	±0.22	±0.26	±0.31	±0.37	±0.57	±0.80	±0.93	±1.05	±1.15	±1.60	±2.20	±2.50



4	Screw	Copper alloy	M3/Ni Plated
3	Pin header	Copper	Sn Plated
2	Cage	Copper alloy	M3/Ni Plated
1	Housing	PA66	UL94V-0

ITEM	NAME OF PART	MATERIAL	NOTES
UL 标准/UL Standard:			
		B	C
额定电压/电流/Rated Voltage(V)/Current(A)			
		300/25	300/10
IEC 标准/IEC Standard:			
过压类别/Overvoltage Category/污染等级/Pollution Degree			
		III/3	III/2
		II/2	
额定电压/电流/Rated Voltage(V)/Current(A)			
		/	320/32
工频耐压/Withstanding voltage(V/1Min)			
			AC4000
螺丝扭矩/Torque Tightening(N·m/Lb.in)			
			M3, 0.5/4.43
线径范围(硬线和软线)/Wire Range(rigid and flexible)(mm²/AWG)			
			0.2~4/24~10
间距/Pitch(mm)/线数范围/Poles			
			7.5/N=01~16P
剥线长度/Stripping length(mm)			
			13~14
使用温度范围/Operating temperature(°C)			
			-40~+105
符合RoHS环保要求/Conform to RoHS			
			Yes

MATERIAL:		SURFACE:							
MAT NO.:	/	宁波高松电子有限公司 NINGBO DEGSON ELECTRICAL CO., LTD							
STATUS:	/								
APPD: Lan ChH 2020.05.25	CHKD: Yu JZh 2020.05.25			NAME:	PS4-7.5-XXP-1Y-00A(H)				
DRFT: Li Zh 2020.05.25				DRAWING NO.:	10002151				
REV	ECN	DESCRIPTION	DRFT	DATE	SIZE: A4	TYPE: CUSTOMER DRAWING	SCALE: 2:1	SHEET	1/1

REV	ECN	DESCRIPTION	DRFT	DATE
-----	-----	-------------	------	------