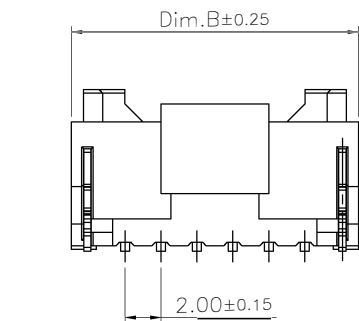
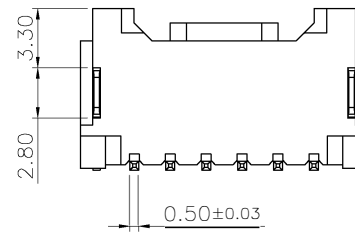
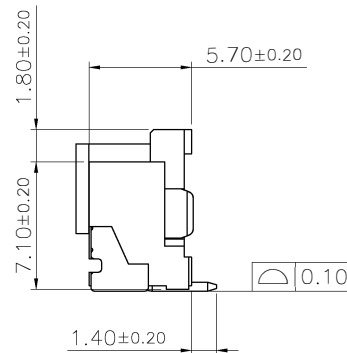


10P-15P double card point



2P-9P single card point



Dimension Information:

Pin.No	Dim.A	Dim.B	Dim.C	Pin.No	Dim.A	Dim.B	Dim.C
2	2.00	8.00	0.78	9	16.00	22.00	1.50
3	4.00	10.00	1.20	10	18.00	24.00	7.60
4	6.00	12.00	1.50	11	20.00	26.00	7.60
5	8.00	14.00	1.50	12	22.00	28.00	7.60
6	10.00	16.00	1.50	13	24.00	30.00	7.60
7	12.00	18.00	1.50	14	26.00	32.00	7.60
8	14.00	20.00	1.50	15	28.00	34.00	7.60

Specifications:
 Current Rating: 3.0A AC,DC
 Voltage Rating: 250V AC,DC
 Contact Resistance: 10m ohm.Max
 Insulation Resistance: 1000M ohm.Min
 Withstanding Voltage: 800V AC/Minute
 Operating Temperature Range: -25°C~+85°C
 Application Wire: Awg#24~#28

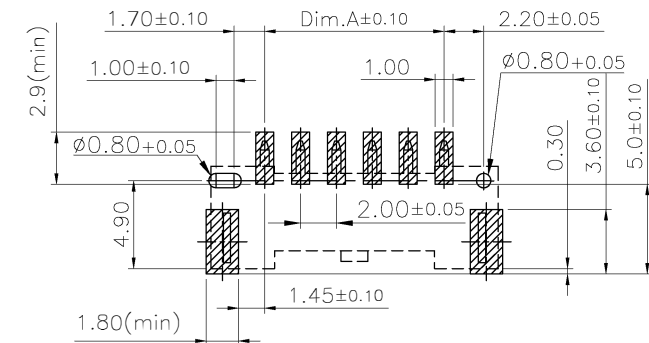


Material And Finish:
 Insulator: Nylon 6T (UL94V-0)
 Insulator Color: Natural
 Contact: Brass
 Plated: Gold/Matte Tin/Selective Gold Plated $\triangle B$
 Solder Tabs: Brass, Tin Plated

How To Order

2417SZ-XXX-SM-CR

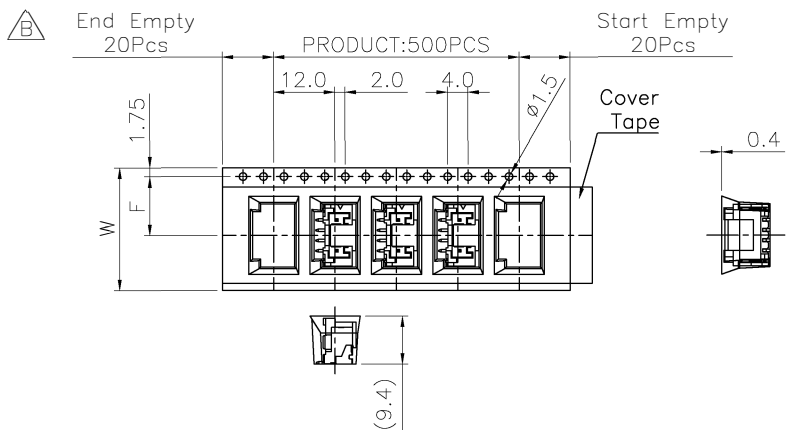
- Cap+Tape&Reel
- SMD
- G:Gold Plated
- MT:Matte Tin Plated $\triangle B$
- SG:Gold Plated On Contact Area,
Matte Tin Plated On Solder Tail.
- No. of Contacts
- Straight Type



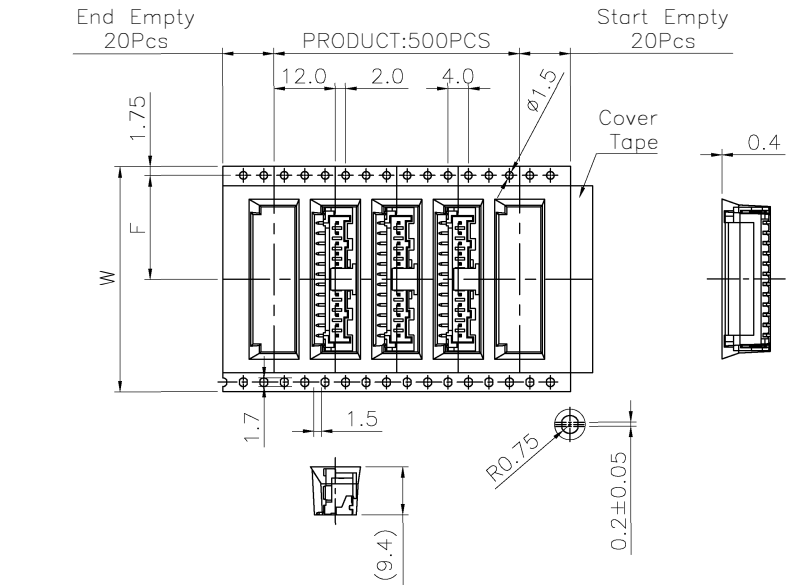
P.C.B Layout

RoHS Compliant

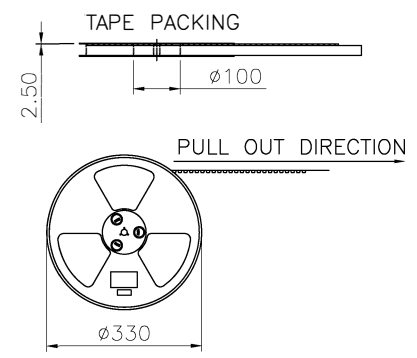
F				DRAWN:	GENERAL TOLERANCE:	Neltron Industrial Co., Ltd.	DESCRIPTION:	SIZE
E				ZONGYI	.X=±0.20 .XX=±0.15			
D				CHECKED:	UNIT: MM	2.0mm Wire To Board Wafer SMD Type	A4	
C	28-JUL-2023	Modfy Q'ty	Lisy Liu	JERRY	SCALE: 1:1			
B	24-MAY-2023	Add Packing List	Lucy Du	APPROVAL:	SHEET: 1/2	PART NO: 2417SZ-XXX-SM-CR		
A	12-MAY-2023		ZONGYI	RORY	PROJECTION:			
REV	DATE	FILE	BY					



For Reel width (dimension W)24mm Single row hole

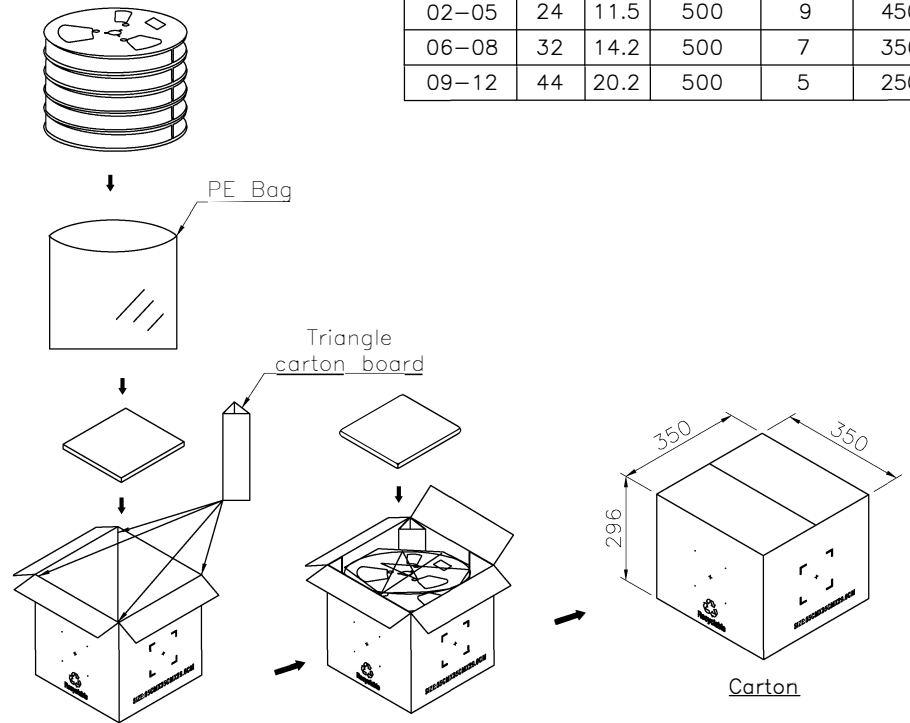


For Reel width (dimension W)32,44mm Double row hole



- Note:
- 1.All dimensions meet EIA-481-3 requirements.
 - 2.Material: Transparent Conductive Polystyrene Alloy 100% recyclable.
 - 3.Thickness: 0.40±0.05mm
 - 4.Component load per 13" reel:500Pcs.
 - 5.Carton Size:350*350*296(mm)

Pin No	W	F	PCS/R	R/CTN	Q'TY
02-05	24	11.5	500	9	4500
06-08	32	14.2	500	7	3500
09-12	44	20.2	500	5	2500



RoHS Compliant

F				DRAWN:
E				ZONGYI
D				CHECKED:
C	28-JUL-2023	Modfiy Q'ty	Lisy Liu	JERRY
B	24-MAY-2023	Add Packing List	Lucy Du	APPROVAL:
A	12-MAY-2023		ZONGYI	RORY
REV	DATE	FILE	BY	

GENERAL TOLERANCE:
.X=±0.20 .XX=±0.15
UNIT: MM
SCALE: 1:1
SHEET: 2/2
PROJECTION:

Neltron Connectors **Neltron Industrial Co., Ltd.**

DESCRIPTION: 2.0mm Wire To Board Wafer SMD Type Packing List

PART NO: 2417SZ-XXX-SM-CR

SIZE **A4**