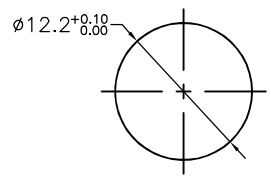
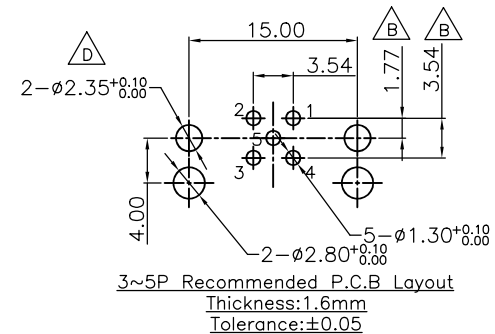
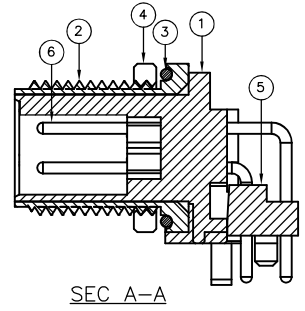
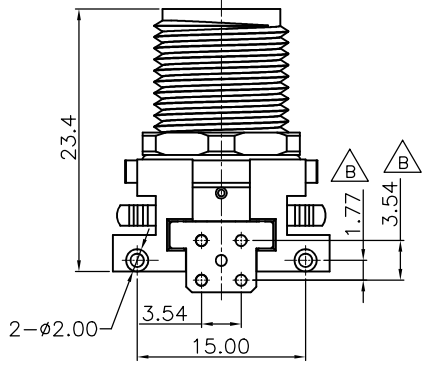
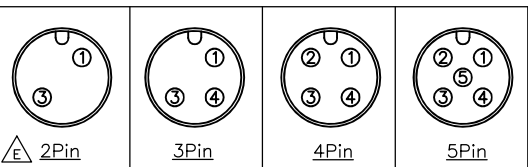


Specifications:
 Current Rating:4A(2,3,4,5P) AC/DC
 Voltage Rating:250V(2,3,4P);60V(5P) AC/DC
 Contact Resistance:5m ohm. Max.
 Insulation Resistance:100M ohm. Min.
 Withstanding Voltage:500V AC/Minute
 Operating Temperature Range:-25°C ~ +90°C
 Material and Finish
 Insulator:PA66(UL94V-0)
 Insulator:Black
 Contact:Brass
 Mechanical Performance
 Insertion/Withdrawal Meet IEC 61076-2-101 Requirements.
 Durability:500 Cycles Min.
 IP Rating:IP67 in locked condition
 How to Order
 120512R-XXP-FA-PB

- Panel Mount PCB Dip
- Front Fastened A Coding
- Plug
- No.of Contacts
- Right Angle
- M12



Pin Assignments Front View



Item	Description	Material	Remark	Q'TY
1	Insulator	PA66	Black	1
2	Shell	Brass	Nickel Plated	1
3	Seal ring	Silicone $\triangle C$	Black	1
4	Nut	Brass	Nickel Plated	1
5	Cover	PA66	Black	1
6	Terminal	Brass	Gold Plated 3u"	2~5

RoHS Compliant

REV	DATE	FILE	BY
F			
E	01-Feb-2024	$\triangle E$ Add 2P Option	Andrew
D	18-May-2021	$\triangle D$ Add 2-φ2.35	Andrew
C	03-Feb-2021	$\triangle C$ FKM→Silicone	Andrew
B	21-Mar-2019	$\triangle B$ 变更Pin脚位置及Layout	Andrew
A	09-Nov-2017		Andrew

DRAWN:	Andrew
CHECKED:	Bill He
APPROVAL:	Norman

GENERAL TOLERANCE:
 .X=±0.2
 .XX=±0.15

UNIT: MM
 SCALE: 1:1
 SHEET: 1/1
 PROJECTION:

Neltron Connectors **Neltron Industrial Co., Ltd.**

DESCRIPTION: M12 A CODE PLUG RIGHT ANGLE TYPE
 PART NO: 120512R-XXP-FA-PB

SIZE: **A4**

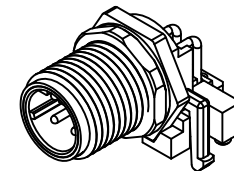
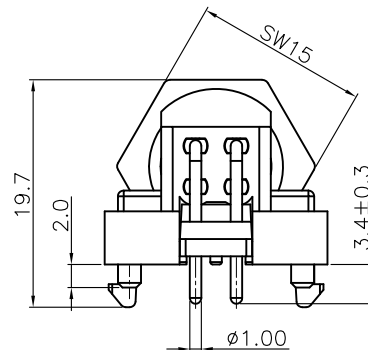
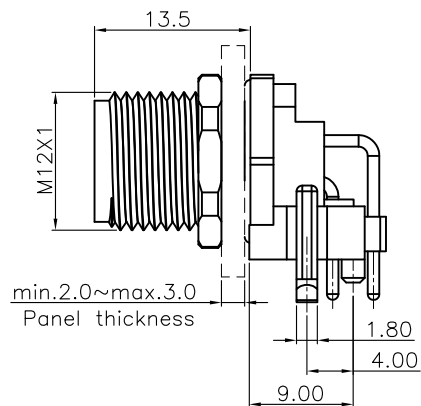
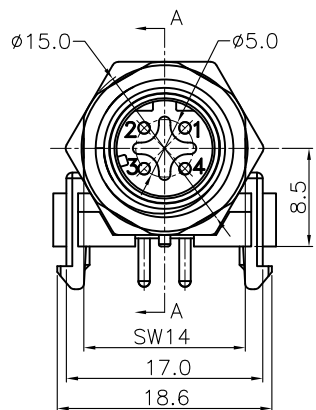
1

2

3

4

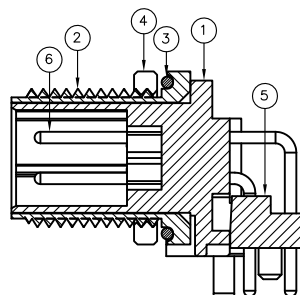
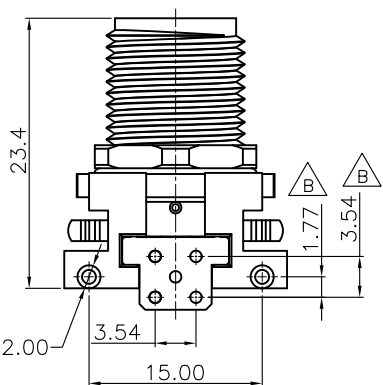
5



Specifications:

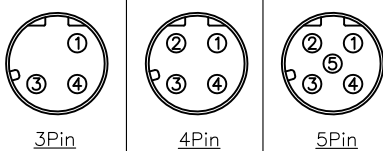
Current Rating:4A AC/DC
 Voltage Rating:250V(3~4Pin);60V(5Pin)AC/DC
 Contact Resistance:5m ohm. Max.
 Insulation Resistance:100M ohm. Min.
 Withstanding Voltage:500V AC/Minute
 Operating Temperature Range:-25°C ~ +90°C
 Material and Finish
 Insulator:PA66(UL94V-0)
 Insulator:Black
 Contact:Brass
 Mechanical Performance
 Insertion/Withdrawal Meet IEC 61076-2-101 Requirements.
 Durability:500 Cycles Min.
 IP Rating:IP67 in locked condition
 How to Order
 120512R-XXP-FD-PB

Panel Mount PCB Dip
 Front Fastened D Coding
 Plug
 No.of Contacts
 Right Angle
 M12

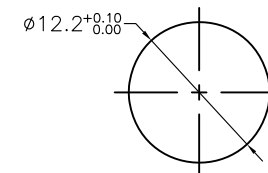
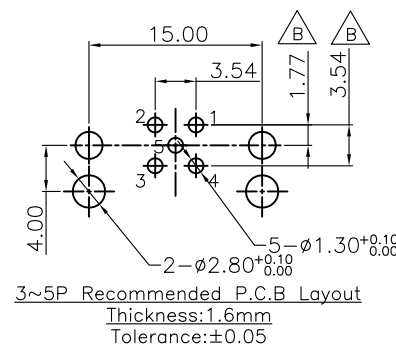


SEC A-A

Pin Assignments Front View



Item	Description	Material	Remark	Q'TY
1	Insulator	PA66	Black	1
2	Shell	Brass	Nickel Plated	1
3	Seal ring	Silicone	Black	1
4	Nut	Brass	Nickel Plated	1
5	Cover	PA66	Black	1
6	Terminal	Brass	Gold Plated 3u"	3~5

Recommended Panel Cut-out
Thickness:2~3mm

RoHS Compliant

REV	DATE	FILE	BY
A	09-Nov-2017		Andrew
B	21-Mar-2019	变更Pin脚位置及Layout	Andrew

DRAWN:	Andrew
CHECKED:	Bill He
APPROVAL:	Norman

GENERAL TOLERANCE:	.X=±0.2 .XX=±0.15
UNIT:	MM
SCALE:	1:1
SHEET:	1/1
PROJECTION:	

Neltron Industrial Co., Ltd.	
DESCRIPTION:	M12 D CODE PLUG RIGHT ANGLE TYPE
PART NO:	120512R-XXP-FD-PB
SIZE	A4