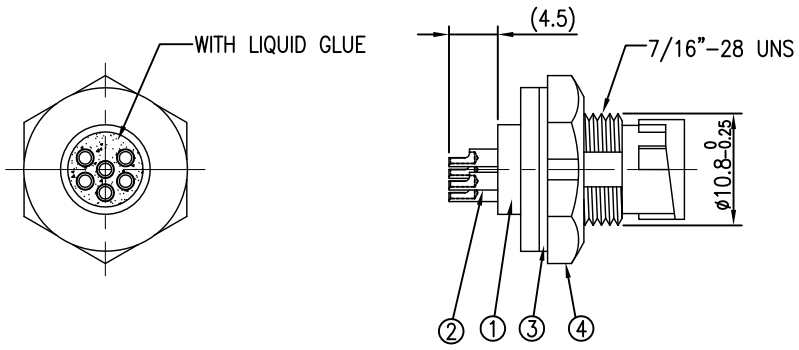
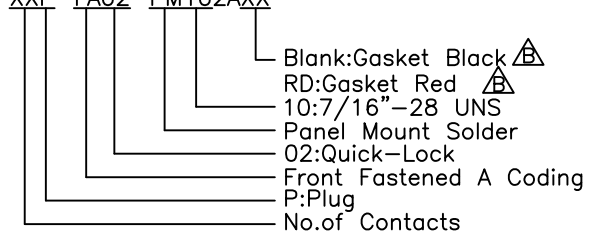
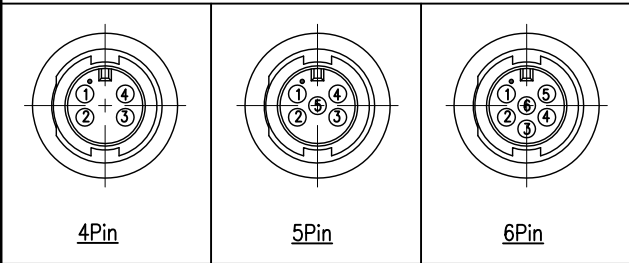


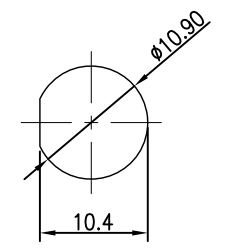
Specifications:  
 Current Rating: 2A AC/DC  
 Withstanding Voltage: 500V AC/Minute  
 Waterproof rate: IP67  
 Operating Temperature Range: -40°C ~ +100°C  
 Material and Finish  
 See Table  
 How to Order  
 120511-XXP-FA02-PM102AXX



Pin Assignments Front View



ITEM	Description	Material	Remark	Q'TY
1	Insulator	Nylon+GF	UL94V-0 Black	1
2	Male Pin	Brass	Gold Plated Over Nickel Plating	4~6
3	Gasket	EPDM	Black/Red	1
4	Nut	Nylon+GF	UL94V-0 Black	1



Recommended Panel CUT-Out Thickness: 3.2mm Max.

RoHS Compliant

REV	DATE	FILE	BY
A	10-Jul-2019		Julian
B	18-Oct-2019	Add Gasket Color	Julian

DRAWN:	Julian
CHECKED:	Bill He
APPROVAL:	Norman

GENERAL TOLERANCE:  
 .X=±0.20  
 .XX=±0.15

UNIT: MM  
 SCALE: 1:1  
 SHEET: 1/1  
 PROJECTION:

**Neltron Automotive** **Neltron Industrial Co., Ltd.**

DESCRIPTION: CIRCULAR MINI SIZE (SOLDER TYPE)  
 PART NO: 120511-XXP-FA02-PM102AXX

SIZE: **A4**