

REVISION RECORD

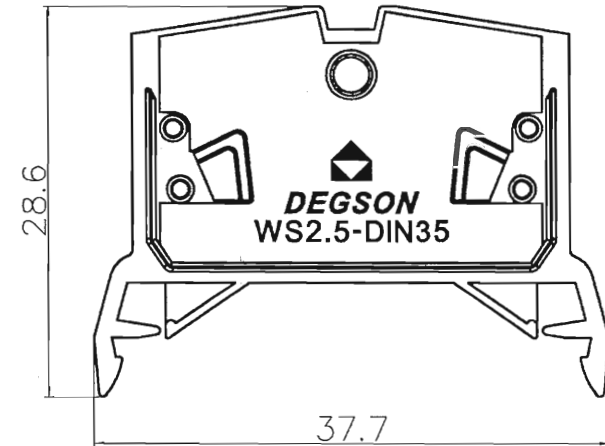
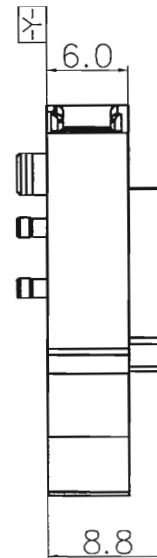
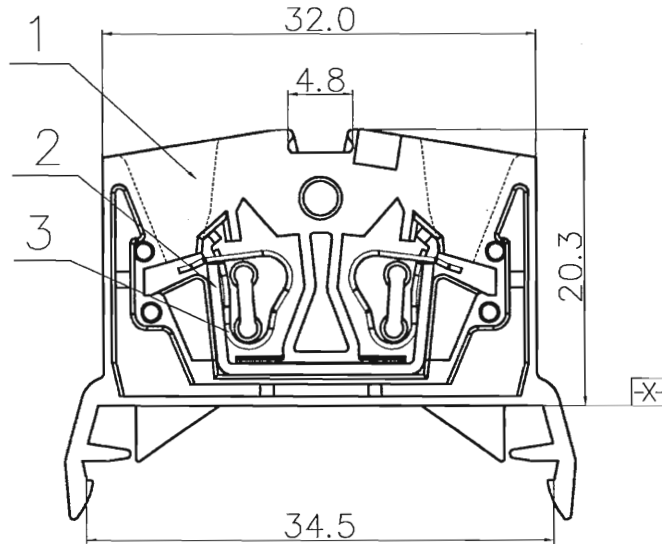
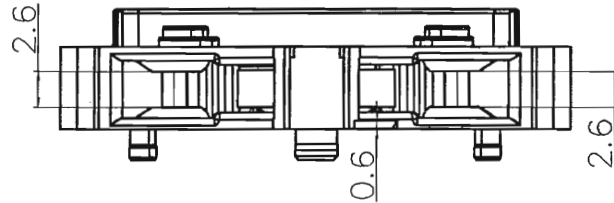
REV	ECN	DESCRIPTION	DRFT	DATE
△	15-0234	弹片使用国产不锈钢, 更新料号	WWF	06/19/15"



NOTES:

- 1.DIMENSION SHALL BE INTERPRETED PER ASME Y14.5-2009.
- 2.RATED VOLTAGE/CURRENT: UL1059 600V/15A
IEC 800V/24A
- 3.OPERATION TEMPERATURES: -40°C~+105°C
- 4.RATED IMPULSE VOLTAGE: 8KV
- 5.INSULATION RESISTANCE: 1000M Ω/DC500V
- 6.WIRE RANGE: 28~12AWG, 2.5MM²
- 7.UNDIMENSIONED TOLERANCES:

Pitch range in mm		Nominal dimension range in mm					
to	over	to	to	to	to	to	
6	6 to 10	10 to 24	30 to 60	60 to 100	100 to 150	150	∩ ◇
	±0.10	±0.15	±0.25	±0.2	±0.3	±0.5	±0.7
						±1	0.05/10



文管中心
研发专用
2015.08.11
(仅限内部使用, 对外无效)

3	DG242-Shrapnel	X000006250(H)△	2	Stainless steel	
2	WS2.5-MID-CO-Current Carrier	6160B00010(H)	1	Copper	Tin Plated

ITEM	NAME OF PART	NO. OF PART	Q'TY	MATERIAL	NOTES
1	WS2.5-DIN35-Housing	6158A0Y01A(H)	1	PA66	UL94V-0

DETACHED LISTS	TOLERANCES EXCEPT AS NOTED		MATERIAL:		DEGSON® 宁波高正电子有限公司 DEGSON ELECTRONICS CO., LTD NAME: WS2.5-DIN35-01P-1Y-00A(H) TITLE: ASSEMBLY DRAWING DRAWING NO.: WS2.5-DIN35-E01 DO NOT SCALE DRAWING SCALE N/A SHEET 1/1
	.X ±	.X" ±	FINISH:		
	.XX ±	.XX" ±	PART NO.:		
	.XXX ±	.XXX" ±	APPD: Aaron 6/26/15		
	ANGLES ± 1'		CHKD: pengyibin 15		
THIRD ANGLE PROJECTION		DRFT: Yangys 10/05/08"		REV T1	