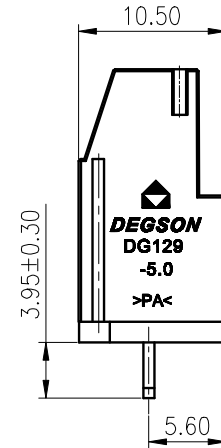
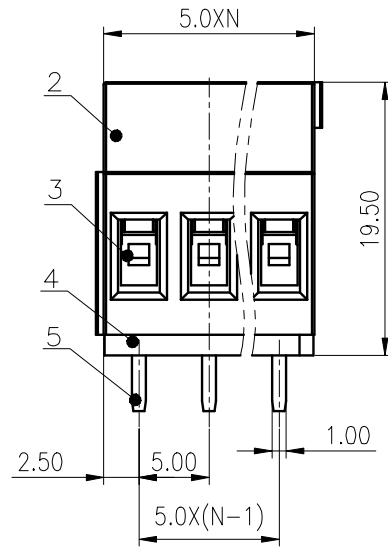
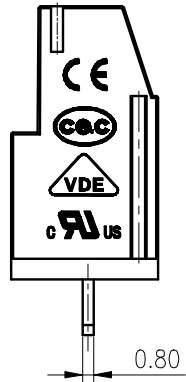
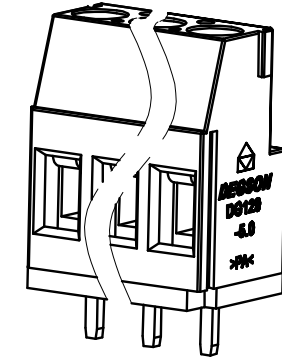
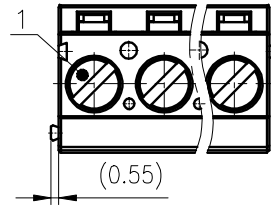


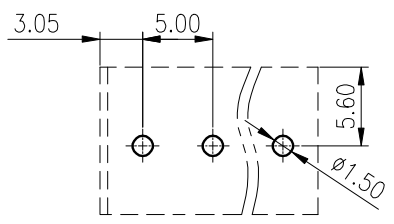
公差/General tolerances(mm)											0.1/10 ±2'		
0	>3	>6	>10	>18	>30	>50	>80	>120	>180	>250		>315	>400
±0.12	±0.18	±0.22	±0.26	±0.31	±0.37	±0.57	±0.80	±0.93	±1.05	±1.15	±1.60	±2.20	±2.50



5	Pin header	Copper alloy	Sn Plated
4	Cover	PA66	UL94V-0
3	Cage	Copper alloy	M3/Ni Plated
2	Housing	PA66	UL94V-0
1	Screw	Steel	M3/Zn Plated

ITEM	NAME OF PART	MATERIAL	NOTES
UL 标准/UL Standard:		B	C D
额定电压/电流/Rated Voltage(V)/Current(A)		300/20	/ 300/10
IEC 标准/IEC Standard:			
过压类别/Overvoltage Category/污染等级/Pollution Degree		III/2	
额定电压/电流/Rated Voltage(V)/Current(A)		250/20	
工频耐压/Withstanding voltage(KV/1Min)		AC2.0	
螺丝扭矩/Torque Tightening(N·m/Lb.in)		M3, 0.5/4.43	
线径范围(硬线和软线)/Wire Range(rigid and flexible)(mm <sup>2</sup> /AWG)		0.5~2.5/26~12	
间距/Pitch(mm)/极数范围/Poles		5.0/N=02~24P	
剥线长度/Stripping length(mm)		8	
使用温度范围/Operating temperature(°C)		-40~+105	
符合RoHS环保要求/Conform to RoHS		Yes	

PCB LAYOUT



MATERIAL: /	SURFACE: /		
MAT NO.: /	<b>宁波高松电子有限公司</b> <b>NINGBO DEGSON ELECTRICAL CO., LTD</b>		
STATUS: /			
APPD: LanChH 2020.08.10			
CHKD: YuJZ 2020.08.10			
DRFT: ChenZ 2019.04.04	NAME:	DG129-5.0-XXP-1Y-100A(H)	
SIZE: A4	DRAWING NO.:	10001396	REV TO
TYPE: CUSTOMER DRAWING	SCALE: 2:1	SHEET	1/1

REV	ECN	DESCRIPTION	DRFT	DATE