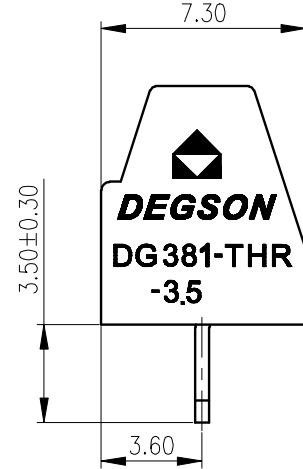
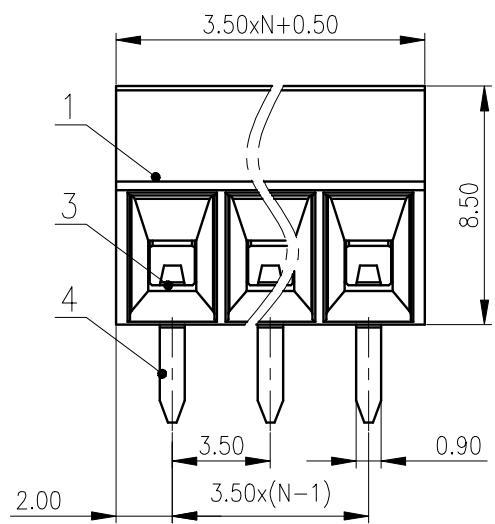
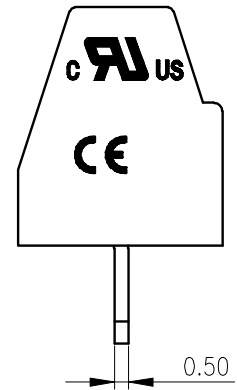
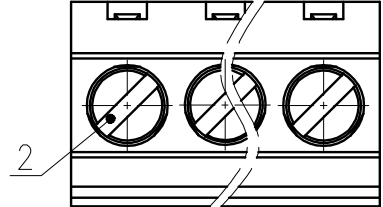
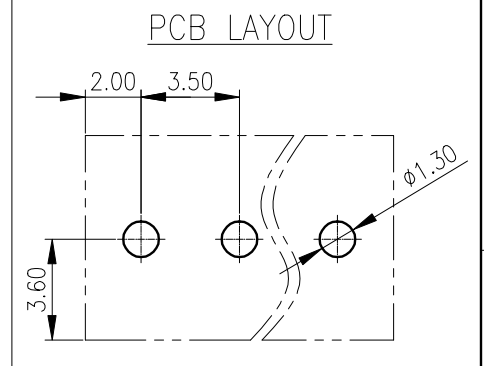




公差/General tolerances(mm)											0.1/10		
0	>3	>6	>10	>18	>30	>50	>80	>120	>180	>250		>315	>400
~3	~6	~10	~18	~30	~50	~80	~120	~180	~250	~315	~400	~500	~2.50
±0.12	±0.18	±0.22	±0.26	±0.31	±0.37	±0.57	±0.80	±0.93	±1.05	±1.15	±1.60	±2.20	±2.50



ITEM	NAME OF PART	MATERIAL	NOTES
4	Pin header	Copper alloy	Sn Plated
3	Cage	Copper alloy	M2/Ni Plated
2	Screw	Steel	M2/Zn Plated
1	Housing	Thermoplastic	UL94V-0
UL 标准/UL Standard:		B	
额定电压/电流/Rated Voltage(V)/Current(A)		150/10	
IEC 标准/IEC Standard:			
过压类别/Overvoltage Category/污染等级/Pollution Degree		Ⅲ/3	Ⅲ/2 Ⅱ/2
额定电压/电流/Rated Voltage(V)/Current(A)		63/13.5	200/13.5 200/13.5
额定脉冲电压(kV)/Rate Impulse Voltage(kV)		2.5	2.5 2.5
螺丝扭矩/Torque Tightening(N·m/Lb.in)		M2, 0.2/1.77	
线径范围(硬线和软线)/Wire Range(rigid and flexible)(mm ² /AWG)		0.2~1.5/30~16	
间距/Pitch(mm)/线数范围/Poles		3.50/N=02~08P	
剥线长度/Stripping length(mm)		5~6	
使用温度范围/Operating temperature(°C)		-40~+130	
符合RoHS环保要求/Conform to RoHS		Yes	

MATERIAL:	SURFACE:		
MAT NO.:	/		
STATUS:	/		
APPD: Lan ChH 2020.05.20	NAME: 宁波高松电子有限公司 NINGBO DEGSON ELECTRICAL CO., LTD		
CHKD: /	DG381-THR-3.5-XXP-1Y-10A(H)		
DRFT: Jay.z 2014.10.07	DRAWING NO.: DG381-THR-3.5-C03		REV T0-3
④	SIZE: A4	TYPE: CUSTOMER DRAWING	SCALE: 4:1 SHEET 1/1

REV	ECN	DESCRIPTION	DRFT	DATE