



REVISION RECORD

REV	ECN	DESCRIPTION	DRFT	DATE
△	17-0056	Change the spring	WH	2017.03.15
△	17-0208	Increase certification	CMZ	2018.03.13

NOTES1:

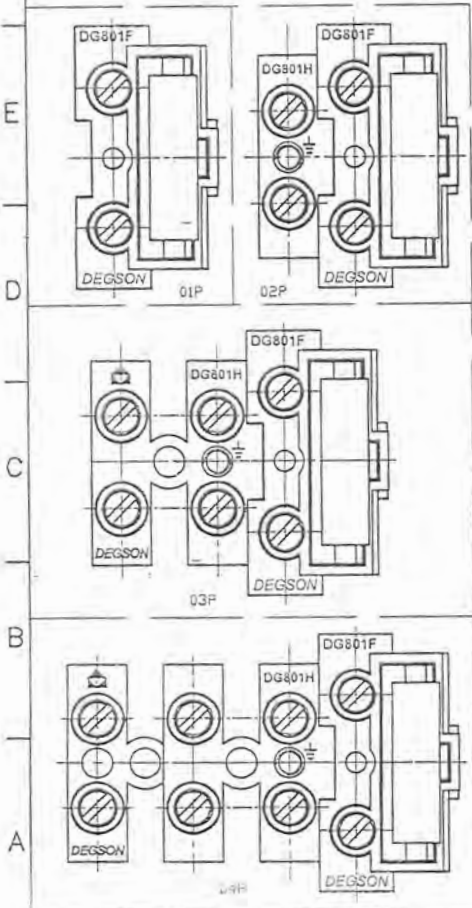
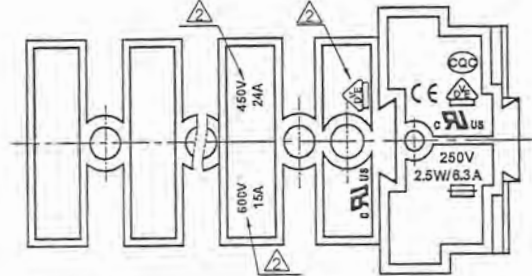
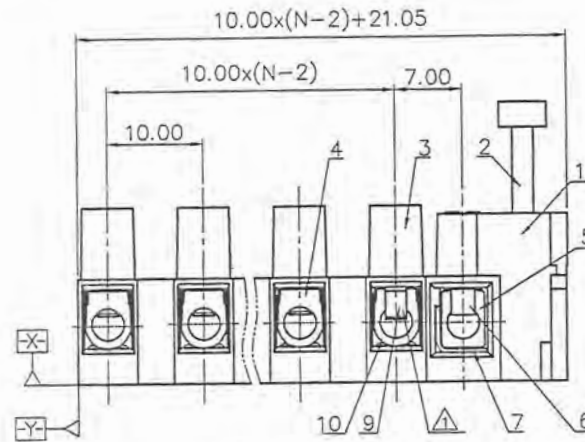
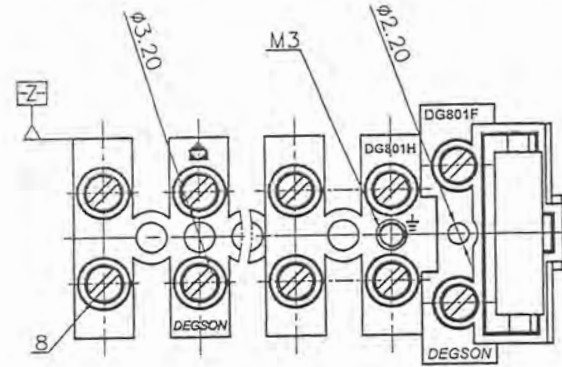
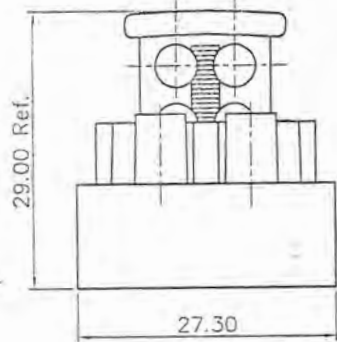
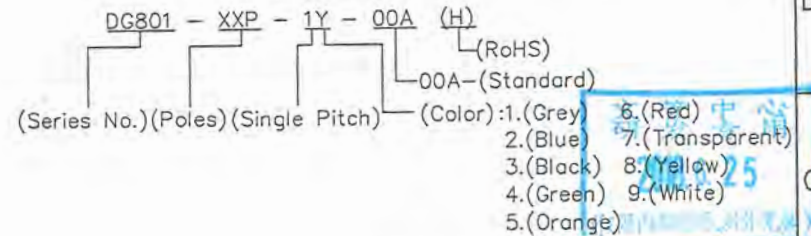
- UL Standard  
 △ 1. Rated voltage/current : 300V / 6.3A(DG801F)  
 600V / 15A(DG801H)  
 2. Torque value : M3 , 4.43Lb.in  
 3. Wire range : 22~14AWG  
 IEC Standard  
 △ 1. Rated voltage/current : 250V / 6.3A(DG801F)  
 450V / 24A(DG801H)  
 2. Torque value : M3 , 0.5N.m  
 △ 3. Wire range : 0.5~2.5mm<sup>2</sup>

NOTES2:

1. Dimension shall be interpreted per ASME Y14.5-2009  
 2. Pitch : 10.00mm, Poles : N=01~05P  
 3. Stripping length : 6~7mm  
 4. Withstanding voltage : AC2000V/1Min  
 5. Operating temperature : -40°C~+105°C  
 6. Undimensioned tolerances:

Pitch range in mm		Nominal dimension range in mm				0.1/10										
TO	Over	TO	Over	TO	Over	≤										
6	10	10	30	30	60	100	150	±0.15	±0.20	±0.30	±0.30	±0.50	±0.70	±1.00	±1.30	±2'

7. RoHS Compliance



ITEM	NAME OF PART	MATERIAL	NOTES
10	Cage2	Copper alloy	Ni plated
9	Spring2	Stainless steel	/
8	Screw	Steel	M3/Zn plated
7	Clamp	Copper alloy	Ni plated
6	Spring1	Stainless steel	/
5	Cage1	Copper alloy	Ni plated
4	Current carrier	Steel+Copper alloy	Ni plated

PART NO.: /

APPD: *Sum 2018.4.12*

CHKD: *Xin 2018.4.12*

DRFT: CMZ 2016.12.30

THIRD ANGLE PROJECTION

ITEM	NAME OF PART	MATERIAL	NOTES
3	Housing3	PA66	UL94V-0
2	Housing2	PA66	UL94V-0
1	Housing1	PA66	UL94V-0

NINGBO DEGSON ELECTRICAL CO., LTD

NAME: DG801-XXP-1Y-00A(H)

TITLE: CUSTOMER DRAWING REV T2

DRAWING NO.: DG801-C01 SHEET 1/1

DO NOT SCALE DRAWING SCALE 1:1