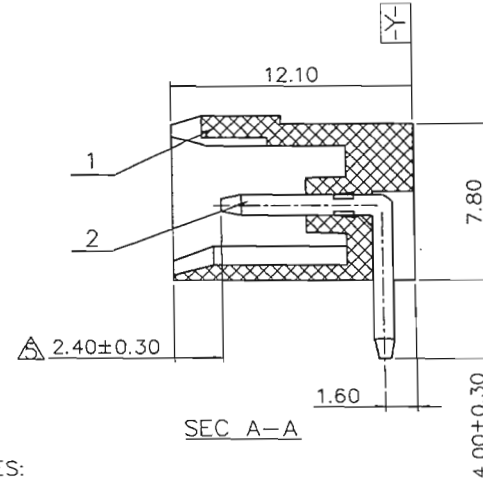
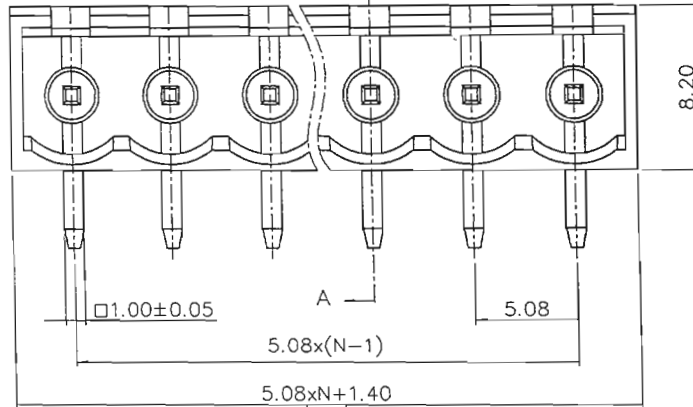
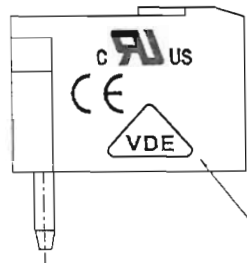
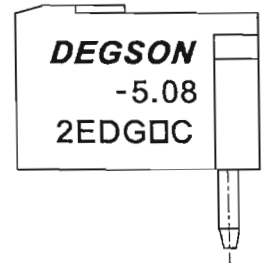


VIEW B



SEC A-A

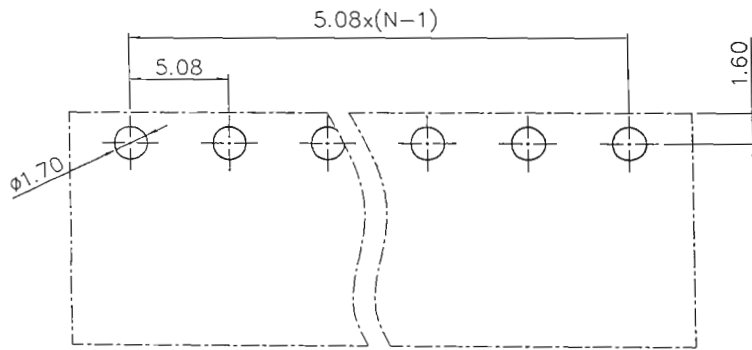


NOTES:

- 1.DIMENSION SHALL BE INTERPRETED PER ASME Y14.5-2009.
- 2.PITCH: 5.08MM,POLES: 2-24P
- 3.RATED VOLTAGE/CURRENT:UL 300V/15A VDE 320V/20A
- 4.OPERATION TEMPERATURES: -40°C+105°C
- 5.RATED IMPULSE VOLTAGE: 4.0KV
- 6.INSULATION RESISTANCE: 5000MΩ/DC1000V
- 7.UNDIMENSIONED TOLERANCES:

Pitch range in mm		Nominal dimension range in mm						
to	over	over	over	over	over	over		
6	6 to 10	10 to 24	30 to 60	60 to 100	100 to 150	150	⌒	
±0.10	±0.15	±0.25	±0.2	±0.3	±0.5	±0.7	±1.0	

ITEM	NAME OF PART	NO. OF PART	Q'TY	MATERIAL	NOTES
2	2EDGR-Pin header Automatic assembly	1008B00340(H)	XX	COPPER	SN PLATED
2	2EDGR(A)Pin header Manual assembly	1008B00330(H)	XX	COPPER	SN PLATED
1	2EDGRC-5.08-Housing	1009A0YXXA(H)	1	PA66	UL94V-0



P.C.B LAYOUT

DETACHED LISTS	TOLERANCES EXCEPT AS NOTED		FINISH:		MATERIAL:		宁波高正电子有限公司 DEGSON ELECTRONICS CO., LTD		
	.X ±	.X' ±	PART NO.:		NAME:		2EDGRC-5.08-XXP-1Y-00A(H)		
	.XX ±	.XX' ±	APPD: <i>Axon 12/18/14</i>		TITLE: ASSEMBLY DRAWING		REV	T6	
	.XXX ±	.XXX' ±	CHKD: <i>Lm 12/18/14</i>		DRAWING NO.: 2EDGRC-5.08-E06				
ANGLES ± 1'		DRFT: HW 08/23/05"		DO NOT SCALE DRAWING		SCALE	N/A	SHEET	1/1

REVISION RECORD				
REV	ECN	DESCRIPTION	DRFT	DATE
△		Drawing emend	csx	04/21/06"
△		增加VDE、CE刻字	YeJ	02/27/08"
△		图面更新	YeJ	03/28/08"
△		增加自动化方针	WLM	09/23/08"
△	10-0329	增加标注尺寸	COCO	10/04/10"
△	14-0107	黄铜变紫铜, 料号变更; 工频耐压变更为额定冲击电压	WL	06/26/14"