

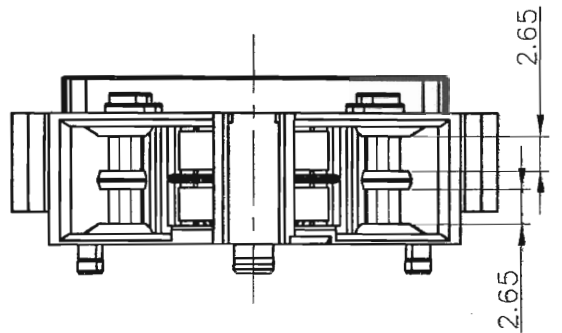


REVISION RECORD

REV	ECN	DESCRIPTION	DRFT	DATE
△	15-0234	弹片使用国产不锈钢, 更新料号	WWF	06/19/15

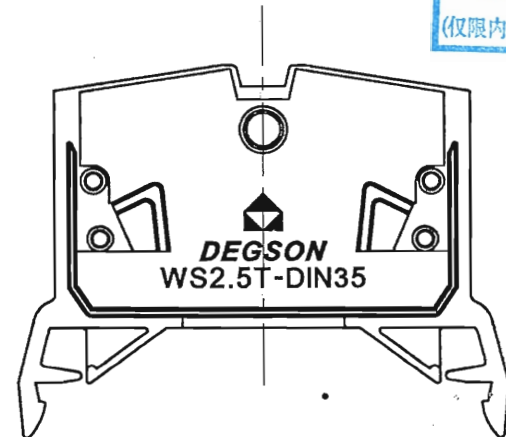
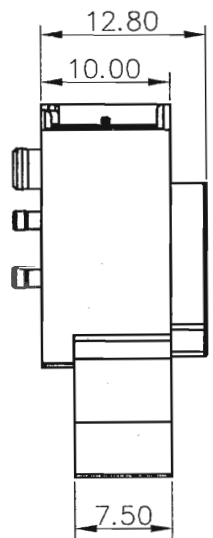
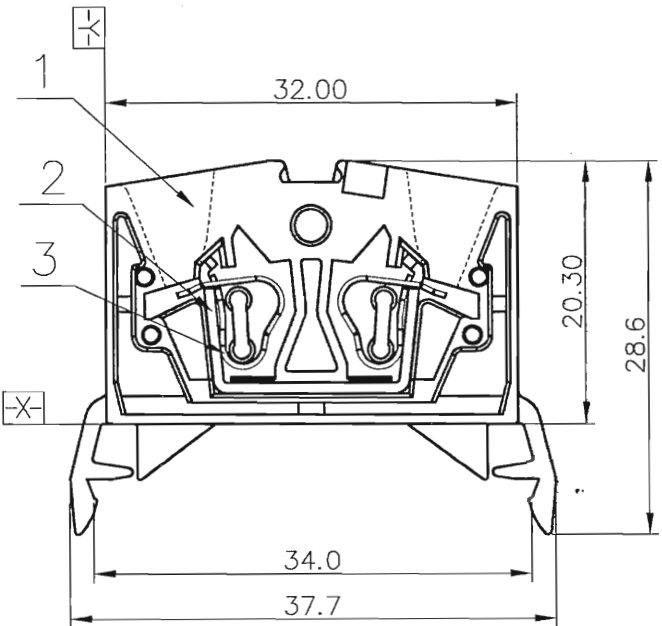
NOTES:

- 1.DIMENSION SHALL BE INTERPRETED PER ASME Y14.5-2009.
- 2.RATED VOLTAGE/CURRENT: UL1059 600V/15A
IEC 800V/24A
- 3.OPERATION TEMPERATURES: -40℃~+105℃
- 4.RATED IMPULSE VOLTAGE: 8KV
- 5.INSULATION RESISTANCE: 1000M Ω/DC500V
- 6.WIRE RANGE: 28~12AWG, 2.5MM²
- 7.UNDIMENSIONED TOLERANCES:



Pitch range in mm		Nominal dimension range in mm						
to 6	over 6 to 10	over 10 to 24	over 30 to 60	over 60 to 100	over 100 to 150	over 150	∩	
±0.10	±0.15	±0.25	±0.2	±0.3	±0.5	±0.7	±1	
							0.05/10	

文管中心
研发专用
2015.08.11
(仅限内部使用, 对外无效)



ITEM	NAME OF PART	NO. OF PART	Q'TY	MATERIAL	NOTES
3	DG242-Shrapnel	X000006250(H)△	4	Stainless steel	
2	WS2.5T-MID-CO-Current Carrier	6162B00010(H)	1	Copper	Tin Plated
1	WS2.5T-DIN35-Housing	6159A0Y01A(H)	1	PA66	UL94V-0

DETACHED LISTS	← MM (INCH) →		MATERIAL:		宁波高正电子有限公司			
	TOLERANCES EXCEPT AS NOTED		FINISH:		DEGSON ® DEGSON ELECTRONICS CO., LTD			
	.X ±	.X' ±	PART NO.:		NAME:			
	.XX ±	.XX' ±			WS2.5T-DIN35-01P-1Y-00A(H)			
	.XXX ±	.XXX' ±			TITLE: ASSEMBLY DRAWING			
ANGLES ± 1°		APPO: Anson 6/26/15		DRAWING NO.: WS2.5T-DIN35-E01		REV	T1	
THIRD ANGLE PROJECTION		CHKD: Penny 6/26/15		DO NOT SCALE DRAWING		SCALE	N/A	
		DRFT: Yangys 10/05/08		SHEET		1/1		