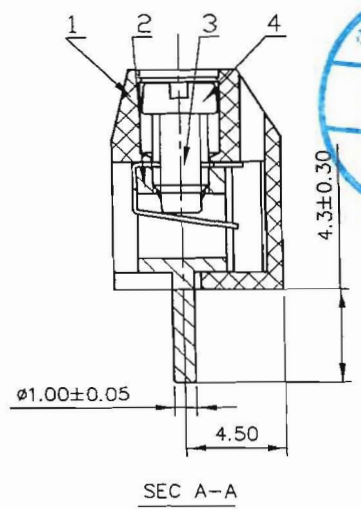
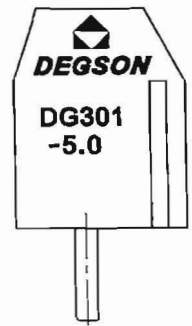
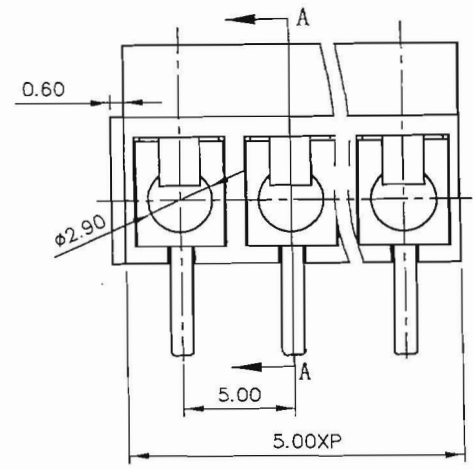
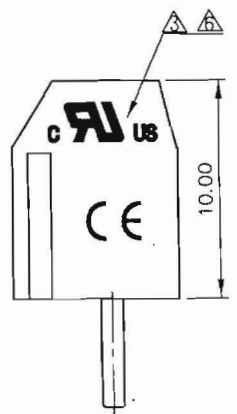
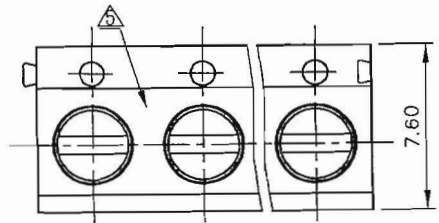




REVISION RECORD			
REV	ECN	DESCRIPTION	DRFT
△		Drawing Revise	Hecyh
△		修改料字	C.SX 12/28/06
△		品名料号增加环保标志 (H)	L.JH 12/03/07
△	11-0160	去掉工艺槽	ZXX 06/30/11
△	12-0270	Drawing Revise	YHG 12/29/12
△	13-0204	增加CE料字	JEX 10/21/13



- NOTES:
- 1.DIMENSION SHALL BE INTERPRETED PER ASME Y14.5-2009.
 - 2.PITCH: 5.0MM, POLES: 03P;
 - 3.RATED VOLTAGE/CURRENT: UL 300V/15A IEC 250V/17.5A
 - 4.OPERATION TEMPERATURES: -30°C~+120°C
 - 5.WITHSTANDING VOLTAGE: AC2000V/1MIN.
 - 6.INSULATION RESISTANCE: 5000MΩ/DC1000V
 - 7.WIRE RANGE: 22~14AWG,1.5MM²
 - 8.TORQUE VALUE: M2.5, 3.0kgf.cm
 - 9.UNDIMENSIONED TOLERANCES:

PITCH RANGE IN MM		NOMINAL DIMENSION RANGE IN MM				
TO	OVER	TO	OVER	TO	OVER	
6	10	10	30	60	100	∩
10	24	30	60	100	150	∇
±0.10±0.15		±0.25	±0.20	±0.30	±0.50±0.70	±1.00.05/10

ITEM	NAME OF PART	NO. OF PART	Q'TY	MATERIAL	NOTES
4	DG301-Screws	S000001420(H)	XX	Steel	Cr ³⁺ Zn
3	DG301-Spring	X000000250(H)	XX	Stainless steel	
2	DG301(A)-pin header	4004B00010(H)	XX	Brass	Sn
1	DG301-5.0 Housing	4004A0YXXA(H)	1	PBT	UL94V-0B

TOLERANCES EXCEPT AS NOTED .X ± .X' ± .XX ± .XX' ± .XXX ± .XXX' ±		MATERIAL: FINISH: PART NO.: DG30150XXP1Y00AH		宁波高正电子有限公司 DEGSON ® DEGSON ELECTRONICS CO., LTD	
ANGLES ± 1° THIRD ANGLE PROJECTION		APPD: <i>Jean 02/18/14</i> CHKD: <i>Dayen 7/18-14</i> DRFT: WHZ		NAME: DG301-5.0-XXP-1Y-00A(H) TITLE: ASSEMBLE DRAWING DRAWING NO.: DG301-5.0-E01	
DO NOT SCALE DRAWING			SCALE	1:1	SHEET 1/1