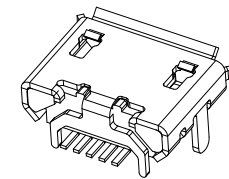


Specifications:
 Current Rating:1.0A(2,3,4Pin)1.8A(1,5Pin)
 Contact Resistance:30m Ohm Max
 Insulation Resistance:100M Ohm Min
 Withstanding Voltage:100V AC/Minute
 Temperature Range:-30°C To +80°C

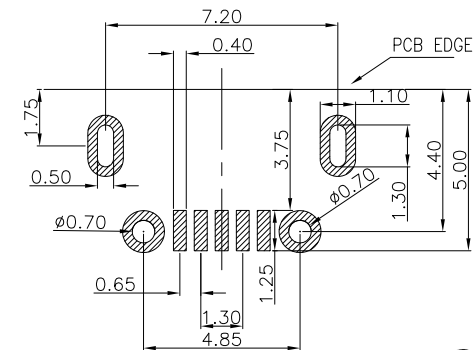


Materials and Finish:
 Insulator:LCP(UL94V-0)
 Insulator Color:Black
 Contact:Phosphor Bronze
 Contact Plating:Gold Plated
 Shell:Brass

How To Order

5075MBR-05-SM6-TR

- Tape & Reel (Standard)
- SMD Type6
- No. of Contacts
- Micro USB B R/A Type



P.C.B layout



RoHS Compliant

F				DRAWN:	GENERAL TOLERANCE:	Neltron Industrial Co., Ltd.	DESCRIPTION:	SIZE
E				Jerry Chen	.X=±0.2 .XX=±0.10			
D				CHECKED:	UNIT: MM	Micro USB Socket 5Pin SMD B Type	A4	
C					SCALE: 1:1			
B				APPROVAL:	SHEET: 1/1	PART NO:	A4	
A	11-Feb-2020		Jerry Chen		PROJECTION:			5075MBR-05-SM6-TR
REV	DATE	FILE	BY					